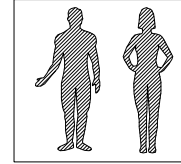
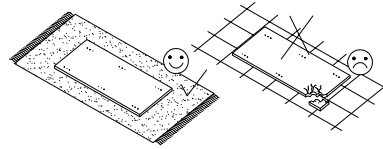
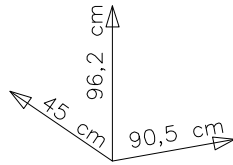
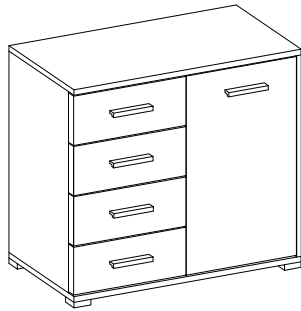
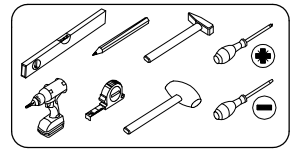
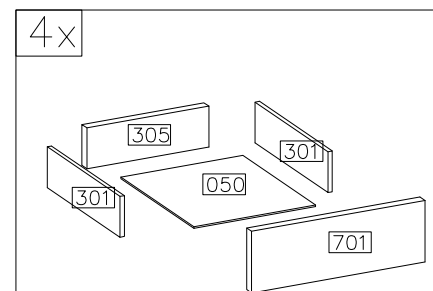
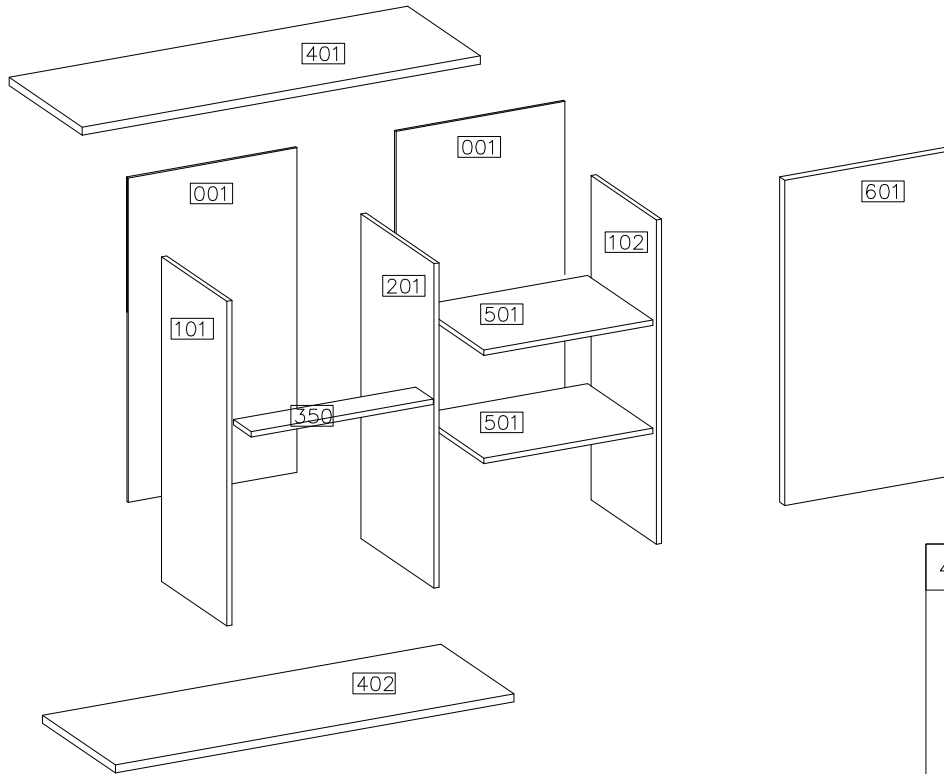


MARSYLIA

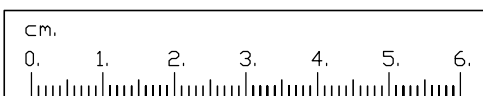
KOMODA – 4S1D




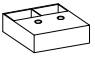
#	ART. NR	QUANTITY
1	401	1
2	402	1
3	101	1
4	102	1
5	201	1
6	601	1
7	501	2
8	701	4
9	301	8
10	305	4
11	050	4
12	001	2
13	350	1

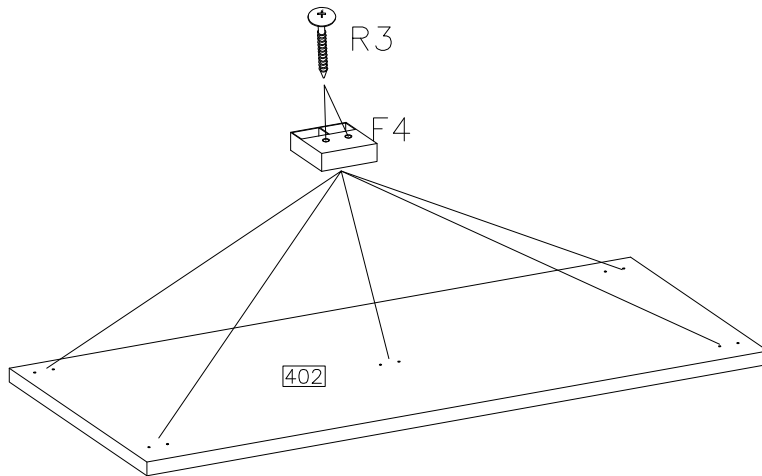


	ø15/12mm 		ø8x30mm 	ø4.0x16mm 		4.0x27mm 	3.5x13mm 		
14	14	14	46	20	5	10	16	4	5
4.0x35mm 		L-350 			H=0 	ø35/KR-15 			
10	5	4KPL	8	60	2	2			




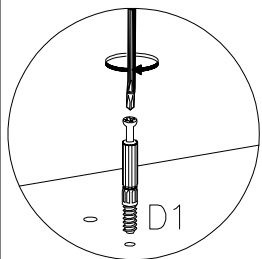
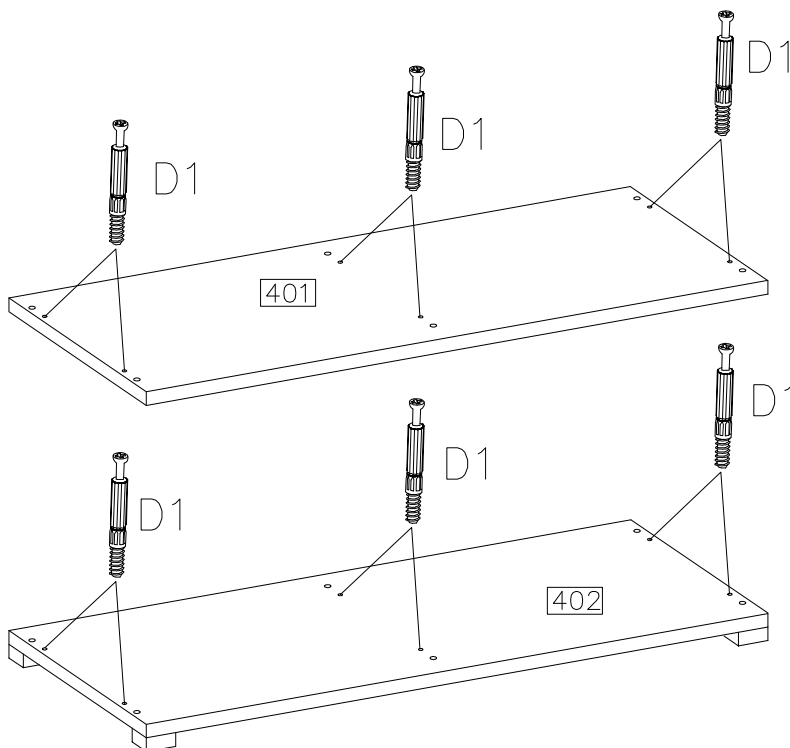
1

4.0x35mm		
	R3	F4
	10	5

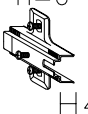
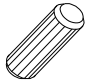




2

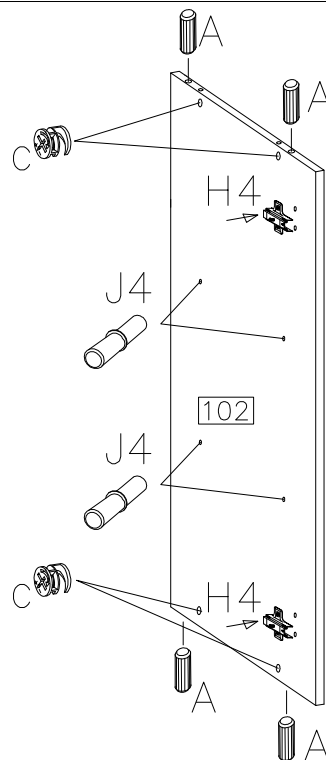
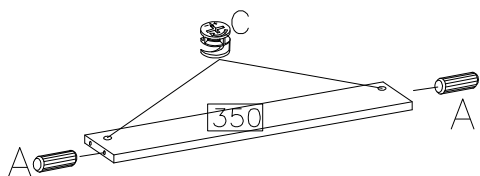
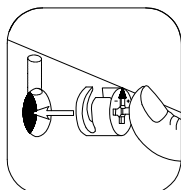
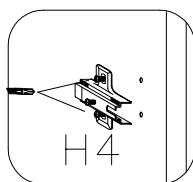

D1
12





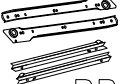

3

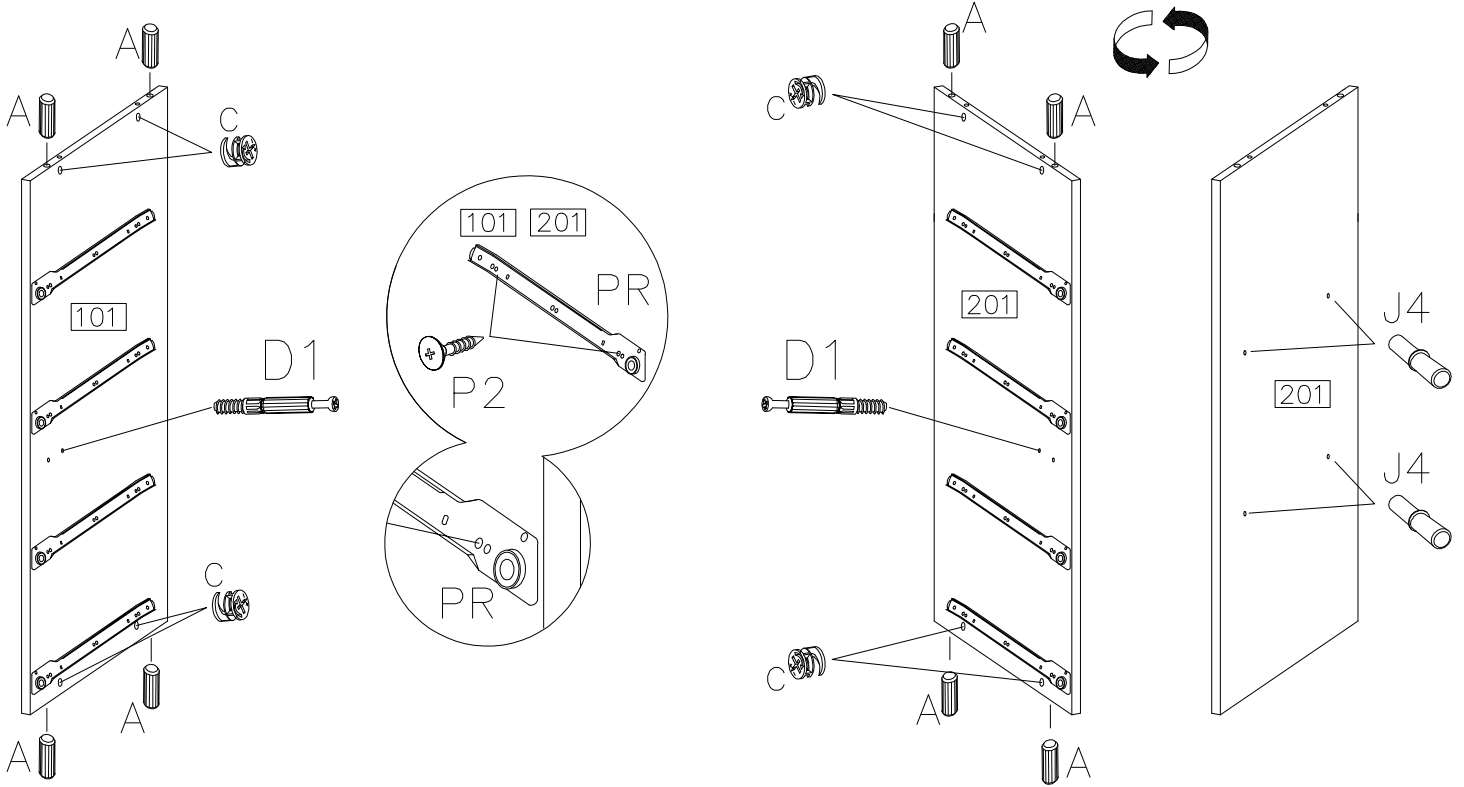
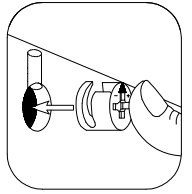
H=0	ø8x30mm	ø15/12mm
		
H4	A	C
2	6	6


J4
4

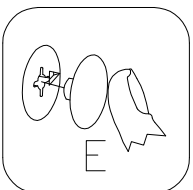
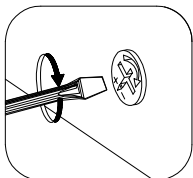
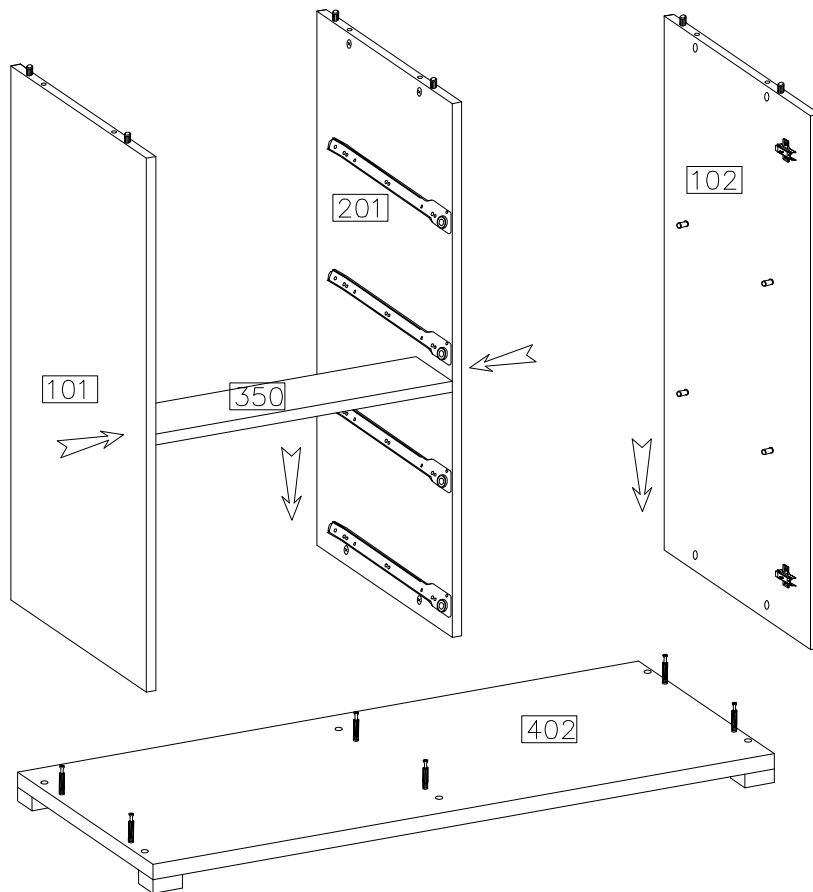
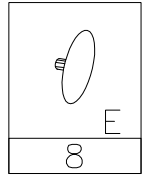


4

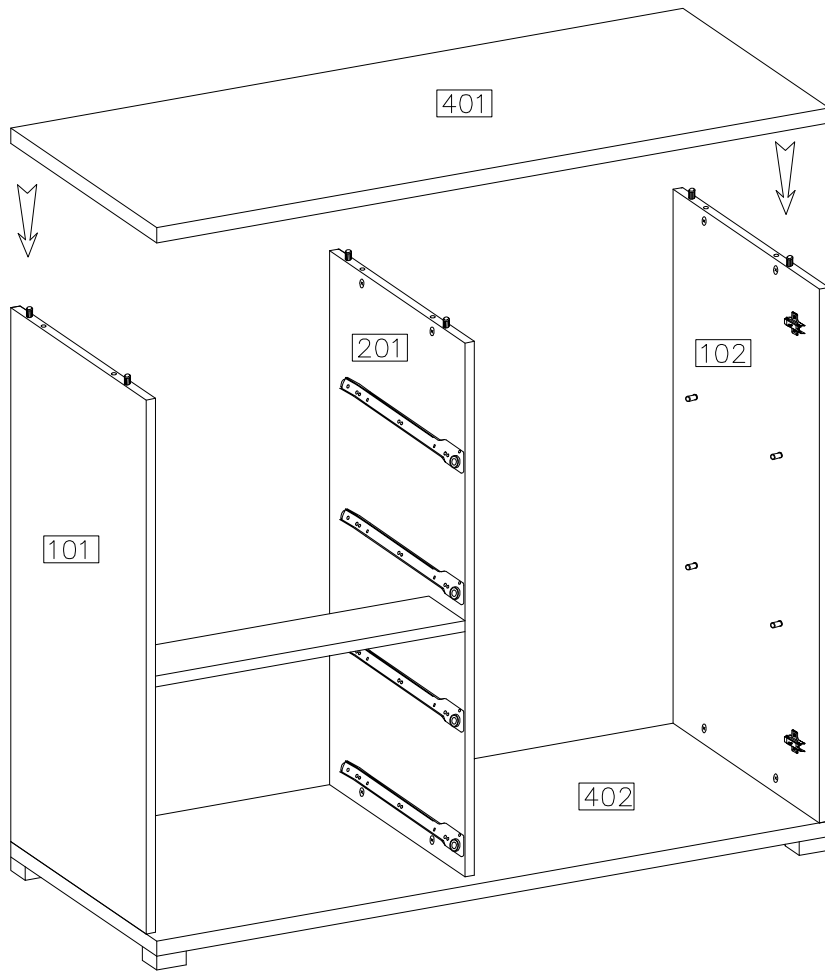
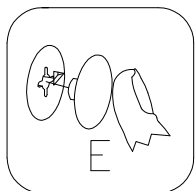
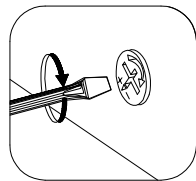
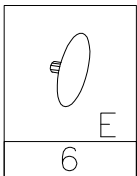
	$\varnothing 15/12\text{mm}$	$\varnothing 8 \times 30\text{mm}$		L-350 	$3.5 \times 13\text{mm}$ 
D1	C	A	J4	PR	P2
2	8	8	4	4KPL	16



5

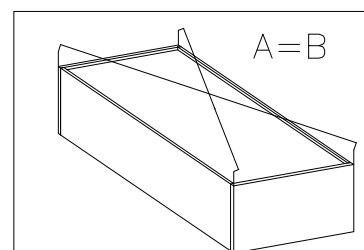
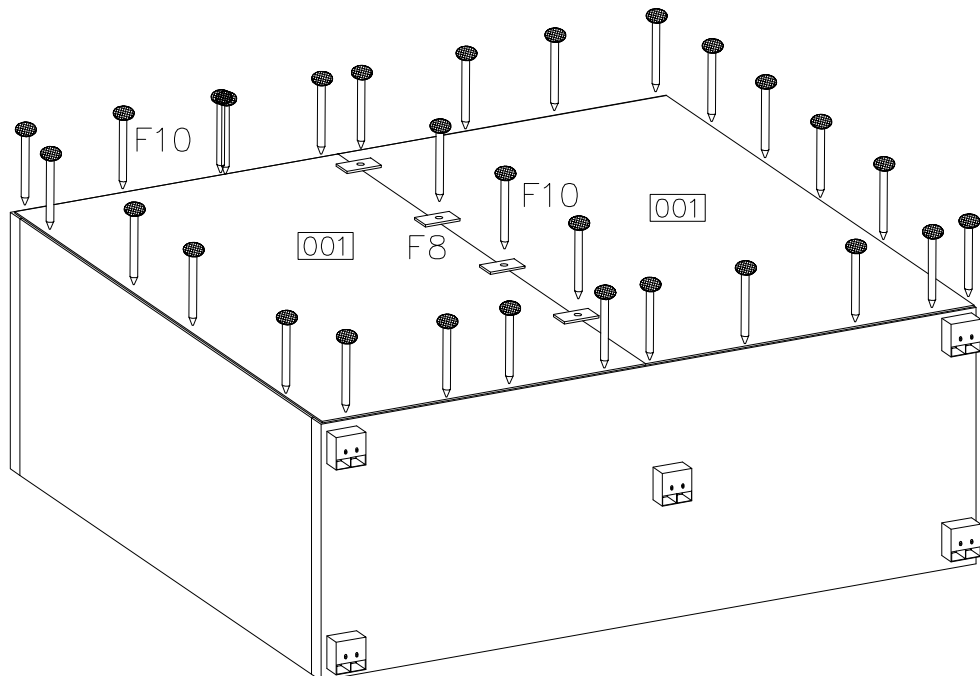


6



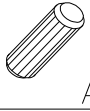
7

F10	F8
20	5



8

ø8x30mm



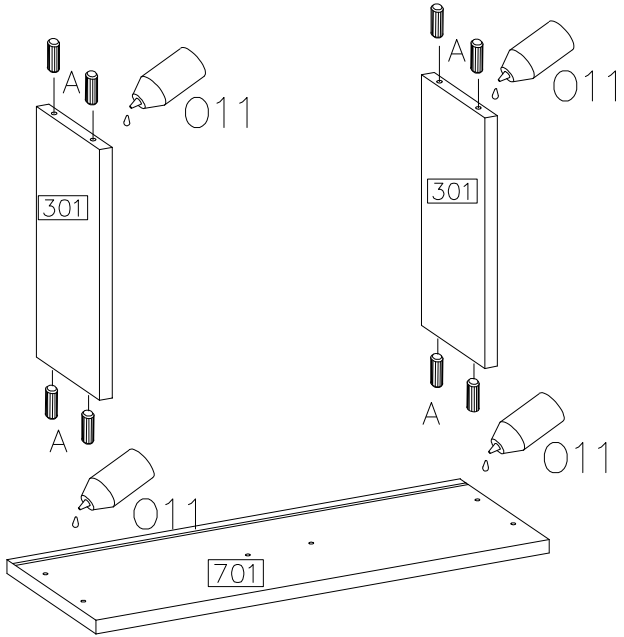
A

32



O11

4x



9



F10

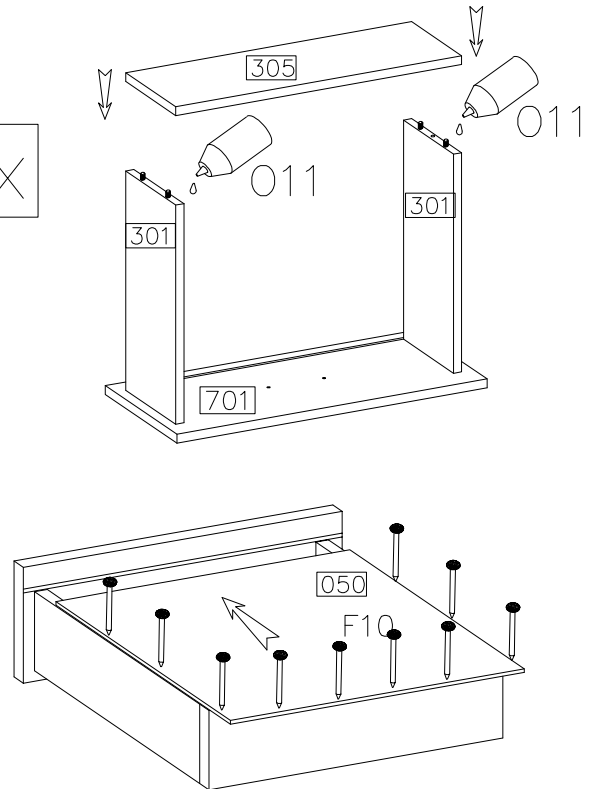
40



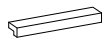
O11



4x



10



S1

4

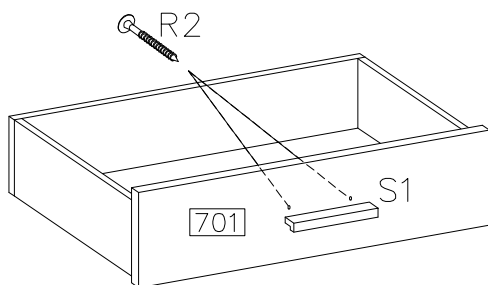
4.0x27mm



R2

8

4x



11

L-350



PR

4KPL

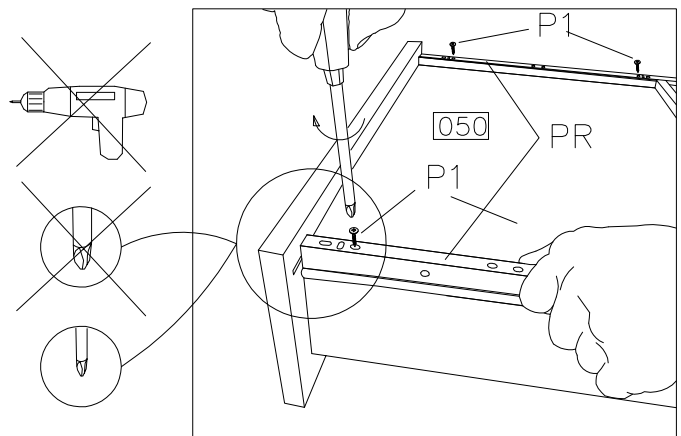
ø4.0x16mm







P1

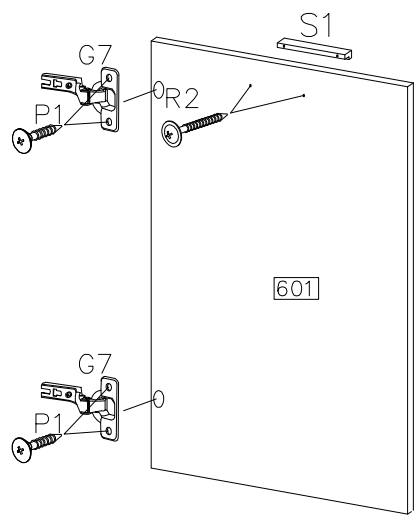
16

4x



12

$\varnothing 35 / KR-15$	$\varnothing 4.0 \times 16 \text{mm}$
	
G7	P1
2	4
	$4.0 \times 27 \text{mm}$
S1	
1	2



13

