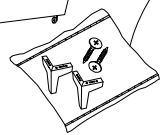
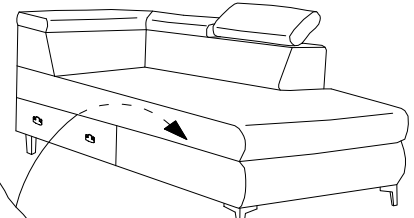
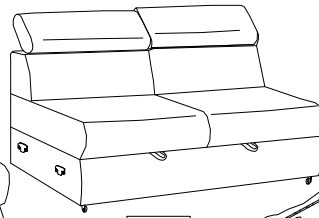
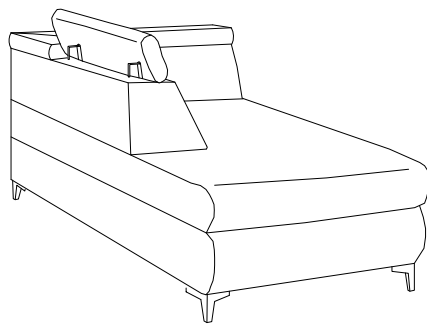
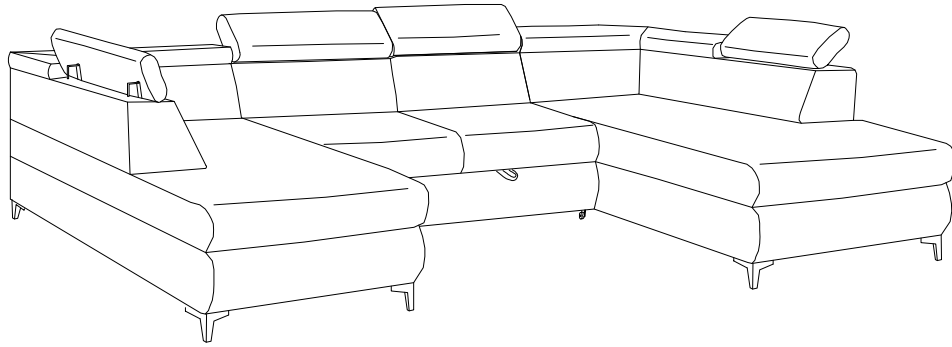
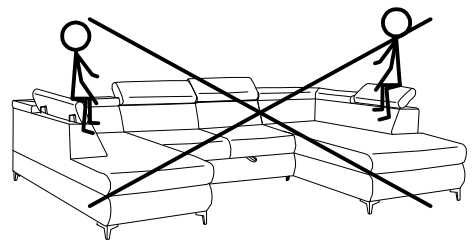
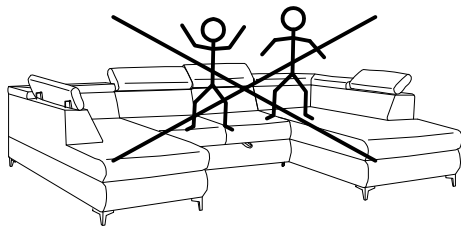


MADRYT SUPER

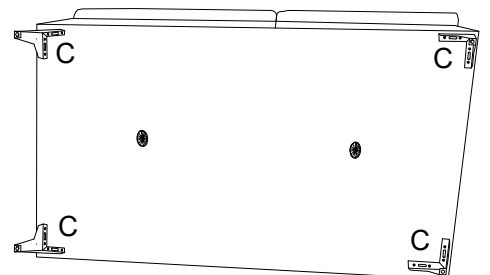
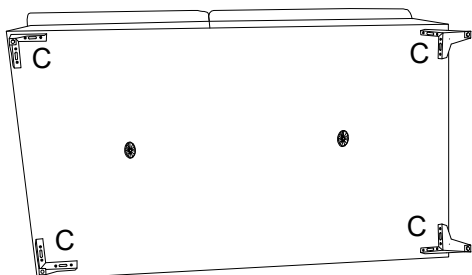
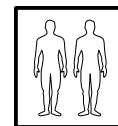
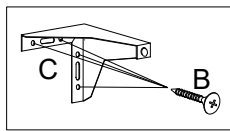


3.5x25mm	
B	C
40	10

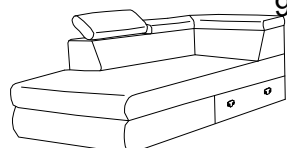
OT-L



1	4.0x35mm	
	B	C
	32	8

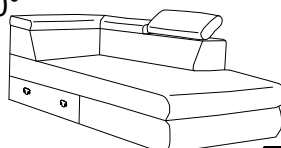


OT-L



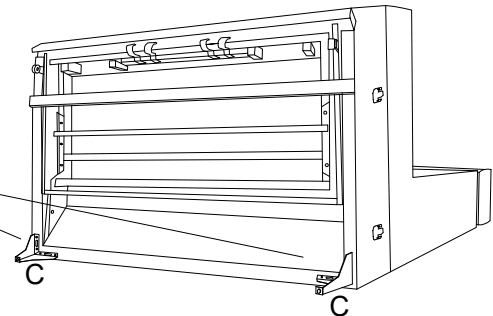
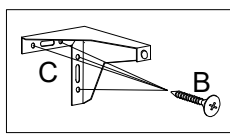
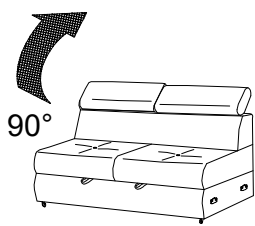
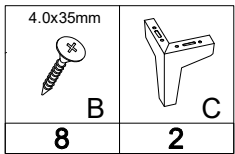
90°

90°



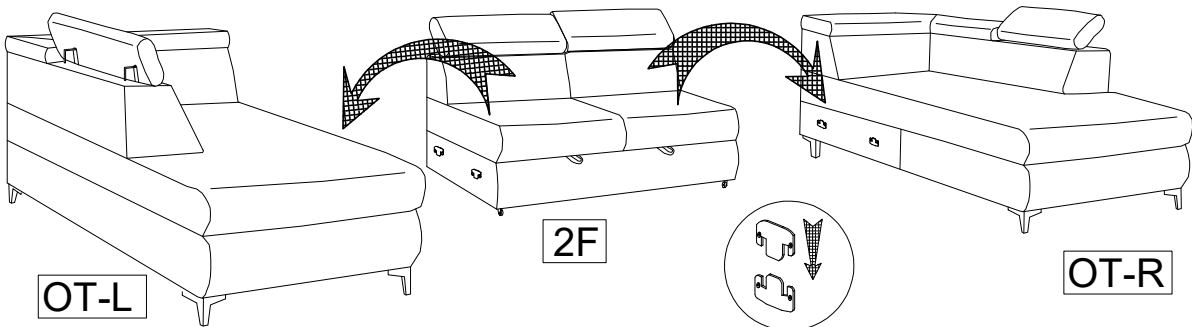
OT-R

2

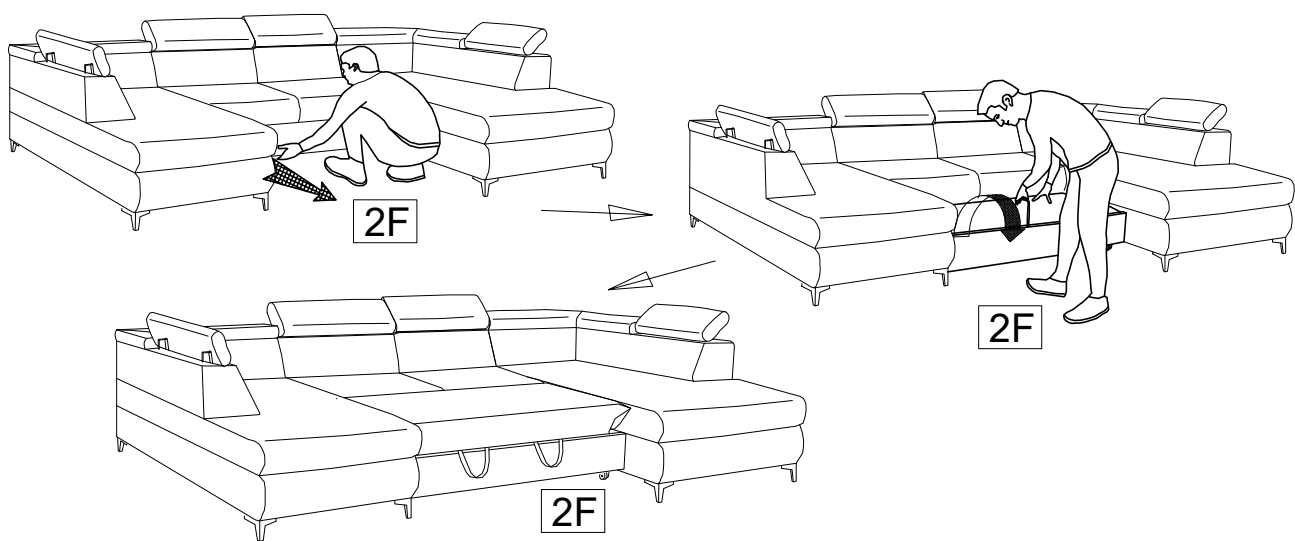


2F

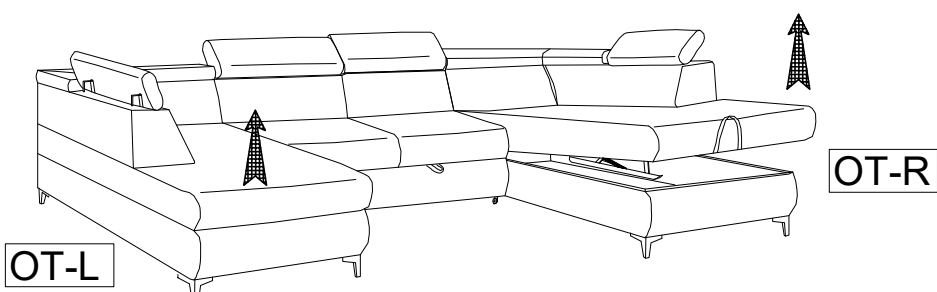
3



4



5



6

