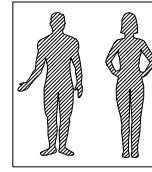
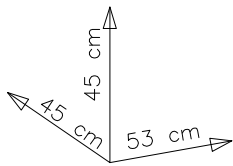
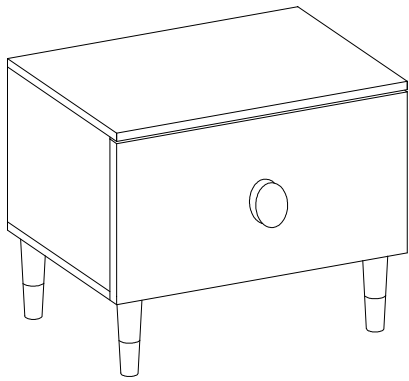
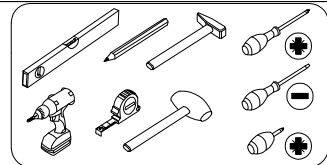
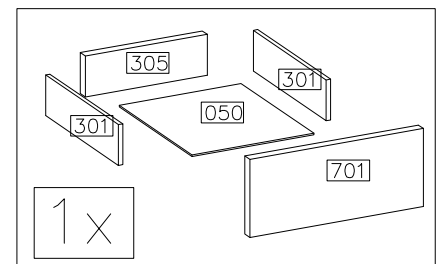
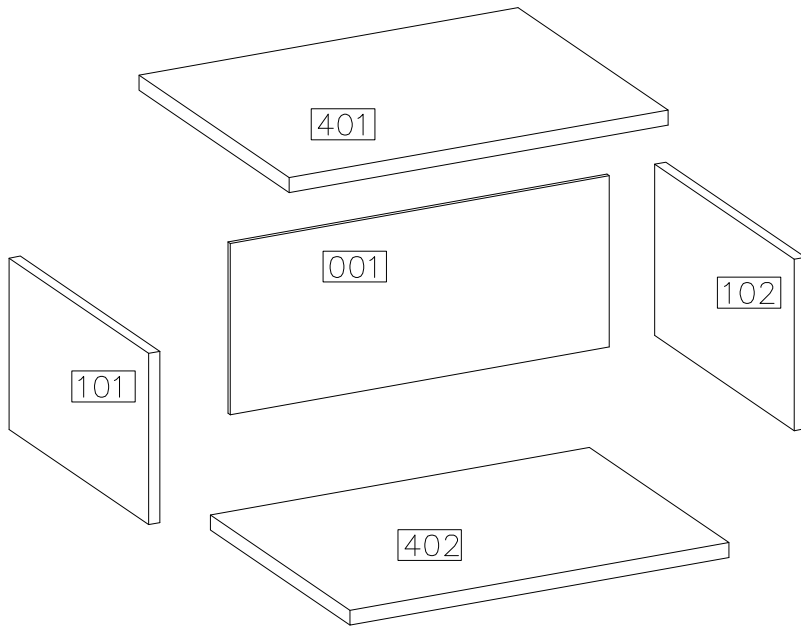
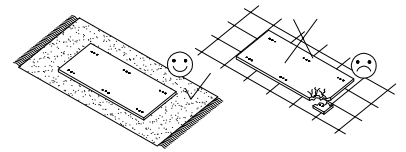





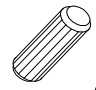



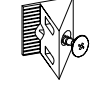





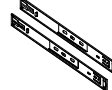
# LUX

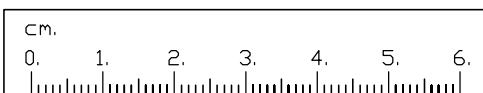
## STOLIK NOCNY-22







| # | ART. NR | QUANTITY |
|---|---------|----------|
| 1 | 401     | 1        |
| 2 | 402     | 1        |
| 3 | 101     | 1        |
| 4 | 102     | 1        |
| 5 | 701     | 1        |
| 6 | 301     | 2        |
| 7 | 305     | 1        |
| 8 | 050     | 1        |
| 9 | 001     | 1        |
|   |         |          |
|   |         |          |
|   |         |          |

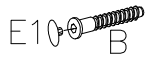
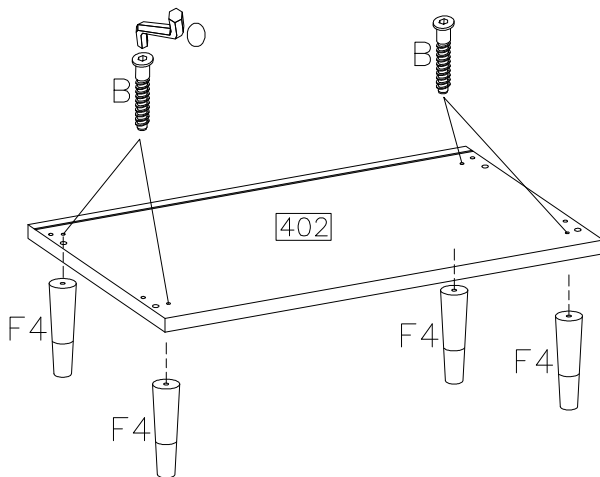


|  |  |   |  |  |  |   |   |
|--|--|---|--|--|--|---|---|
|  |  $\varnothing 15/12\text{mm}$ |  |  $\varnothing 8 \times 30\text{mm}$ |  $\varnothing 4.0 \times 16\text{mm}$ |  $M 4.0 \times 45\text{mm}$ |  |  |
| 12   | 12   | 12  | 16   | 12   | 1  | 1   | 4   |
|  |                               |  |                                     |                                       |                             |   |   |
| 5  | 4  | 4   | 4  | 1  | 1SET   |   |   |




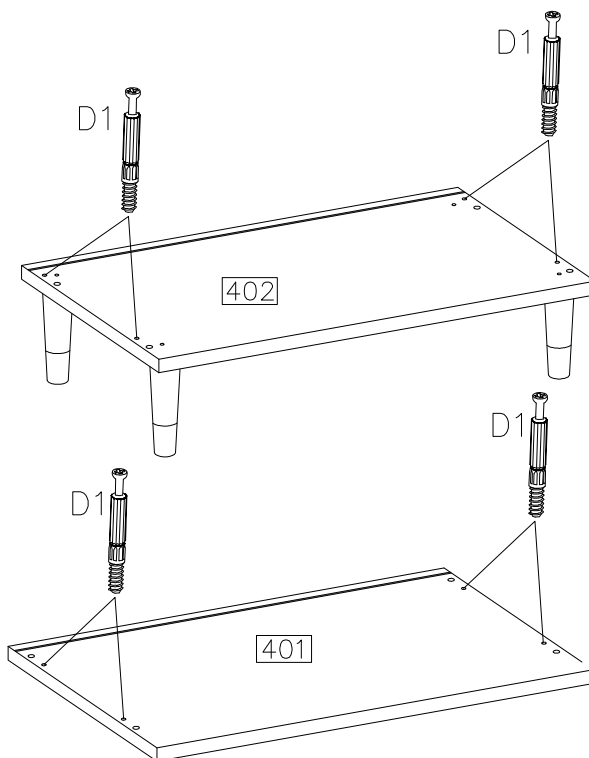
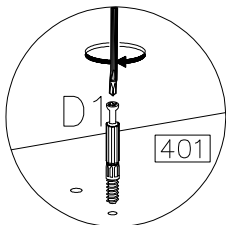
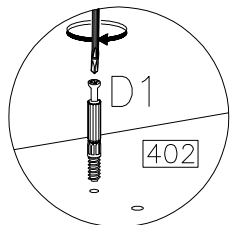
1

|   |   |
|---|---|
|   |   |
| B   | E1  |
| 4   | 4   |
|  |  |
| F4  | O   |
| 4   | 1   |

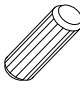
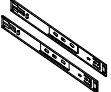




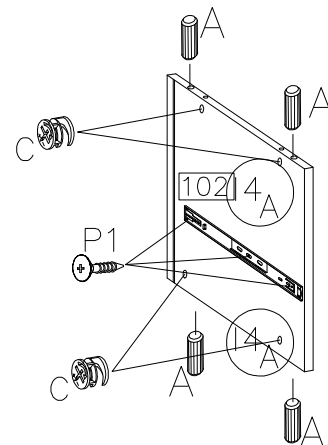
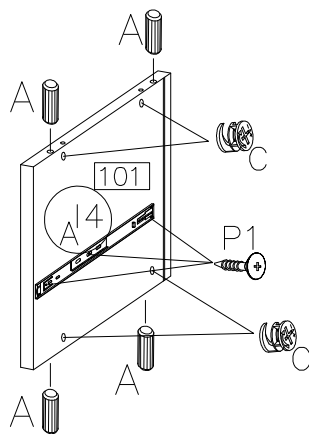
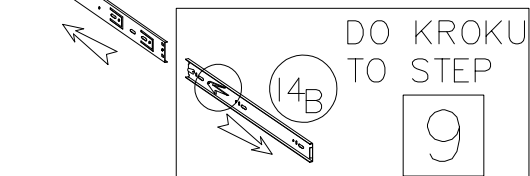
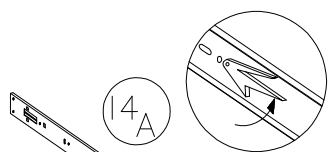
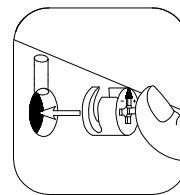
2

|   |
|---|
|  |
| D1  |
| 8   |

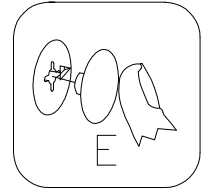
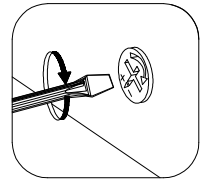
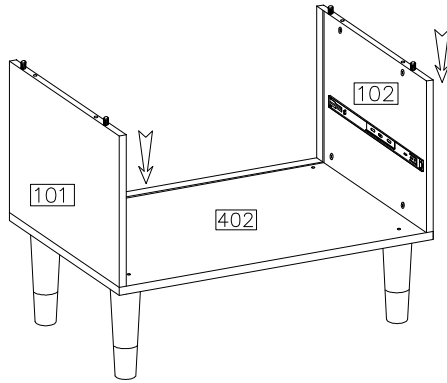
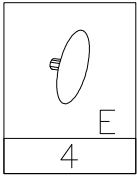


3

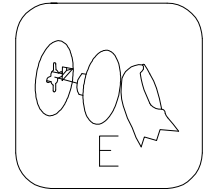
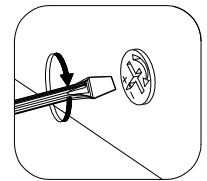
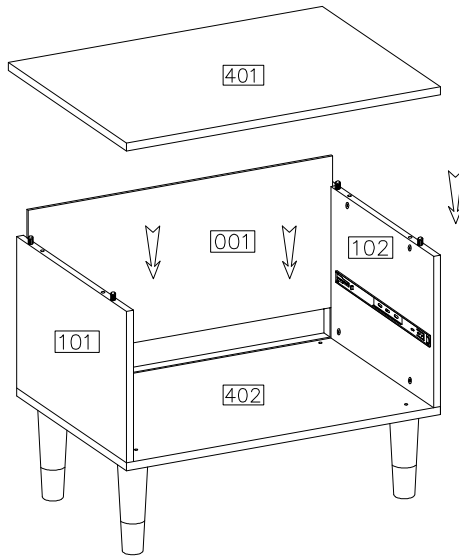
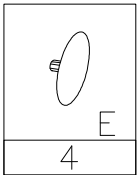
|  |  |
|--|--|
| $\varnothing 8 \times 30 \text{mm}$<br> |   |
| A  | I4   |
| 8  | 1SET   |
| $\varnothing 15 / 12 \text{mm}$<br>     | $\varnothing 4.0 \times 16 \text{mm}$<br> |
| C  | P1   |
| 8  | 6  |



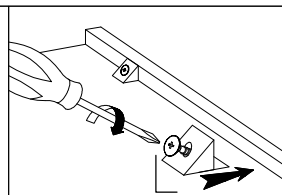
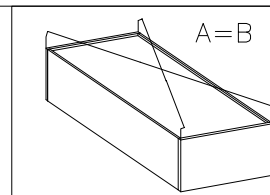
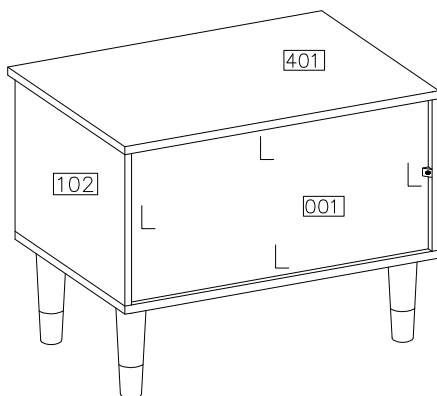
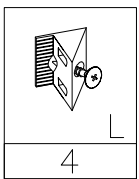
4



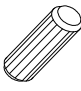

5

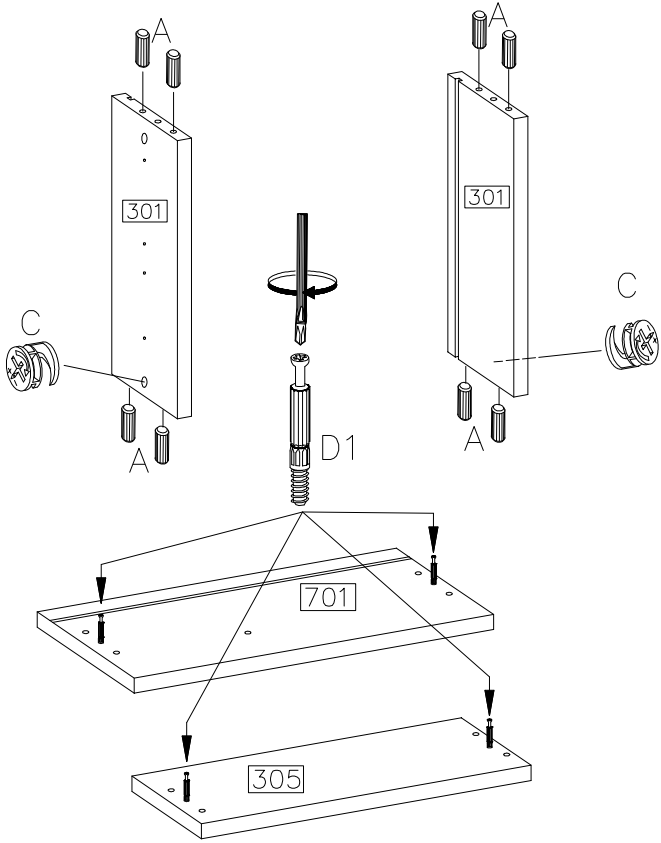


6





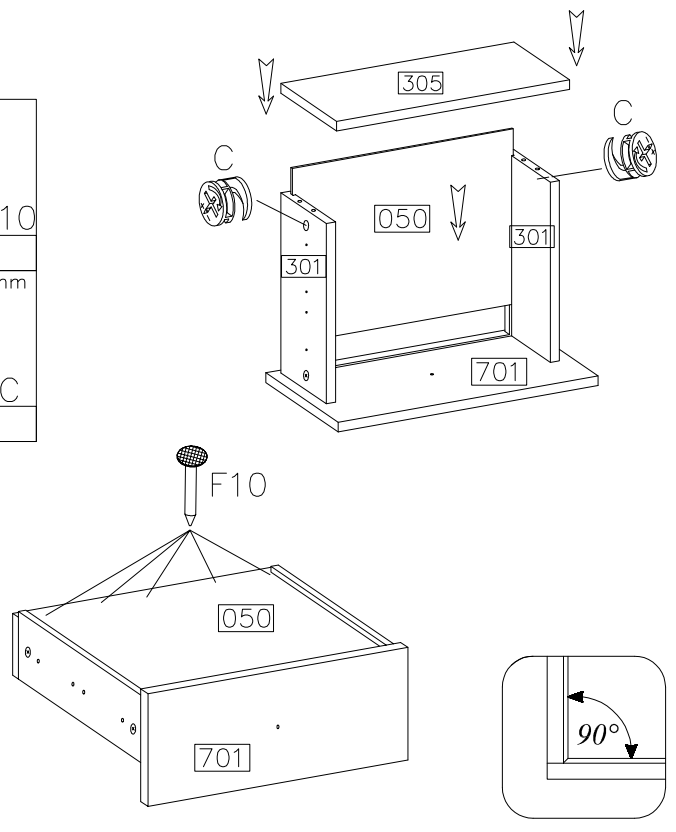
7

|         |  |  |          |
|---------|--|--|----------|
| ∅8x30mm |  |  | ∅15/12mm |
|         | A  | D1   | C        |
|         | 8  | 4  | 2        |






8

|   |
|---|
|  |
| F10   |
| 5   |
| ∅15/12mm  |
|  |
| C   |
| 2   |



9

|           |   |   |       |   |           |
|-----------|---|---|-------|---|-----------|
| M4.0x45mm |  |  | L-350 |  | ∅4.0x16mm |
|           | R2  | S1  | I4    | P1  |           |
|           | 1   | 1   | 1SET  | 6   |           |

