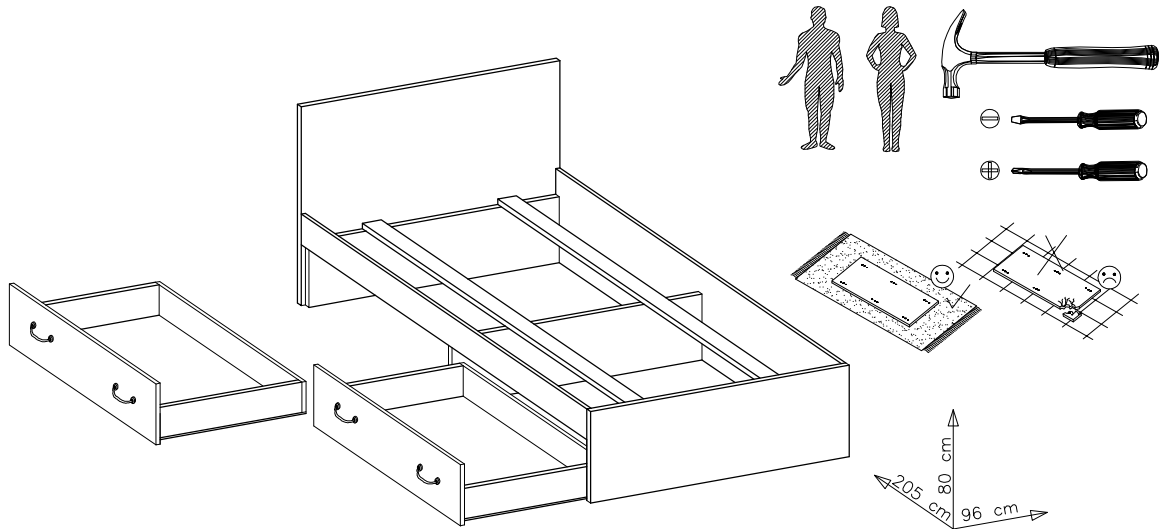


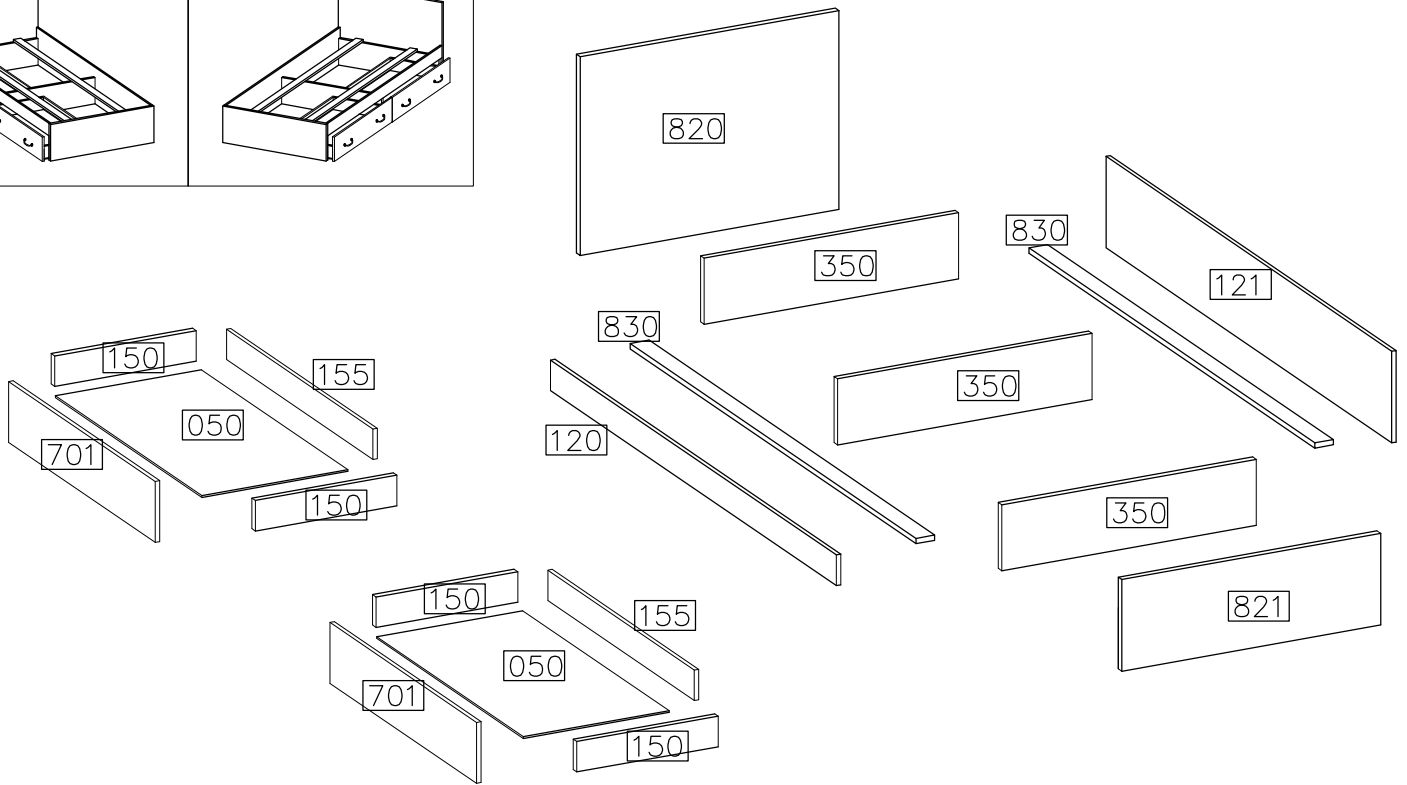
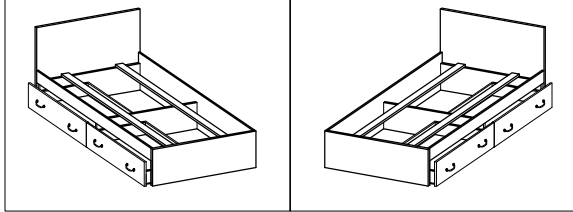
KOSMO-36 ŁÓŻKO 90



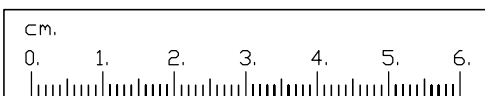
| # | ART. NR | QUANTITY |
|----|---------|----------|
| 1 | 820 | 1 |
| 2 | 821 | 1 |
| 3 | 120 | 1 |
| 4 | 121 | 1 |
| 5 | 350 | 3 |
| 6 | 830 | 2 |
| 7 | 701 | 2 |
| 8 | 150 | 4 |
| 9 | 155 | 2 |
| 10 | 050 | 2 |
| | | |
| | | |
| | | |

VERSION-L



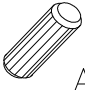
VERSION-R

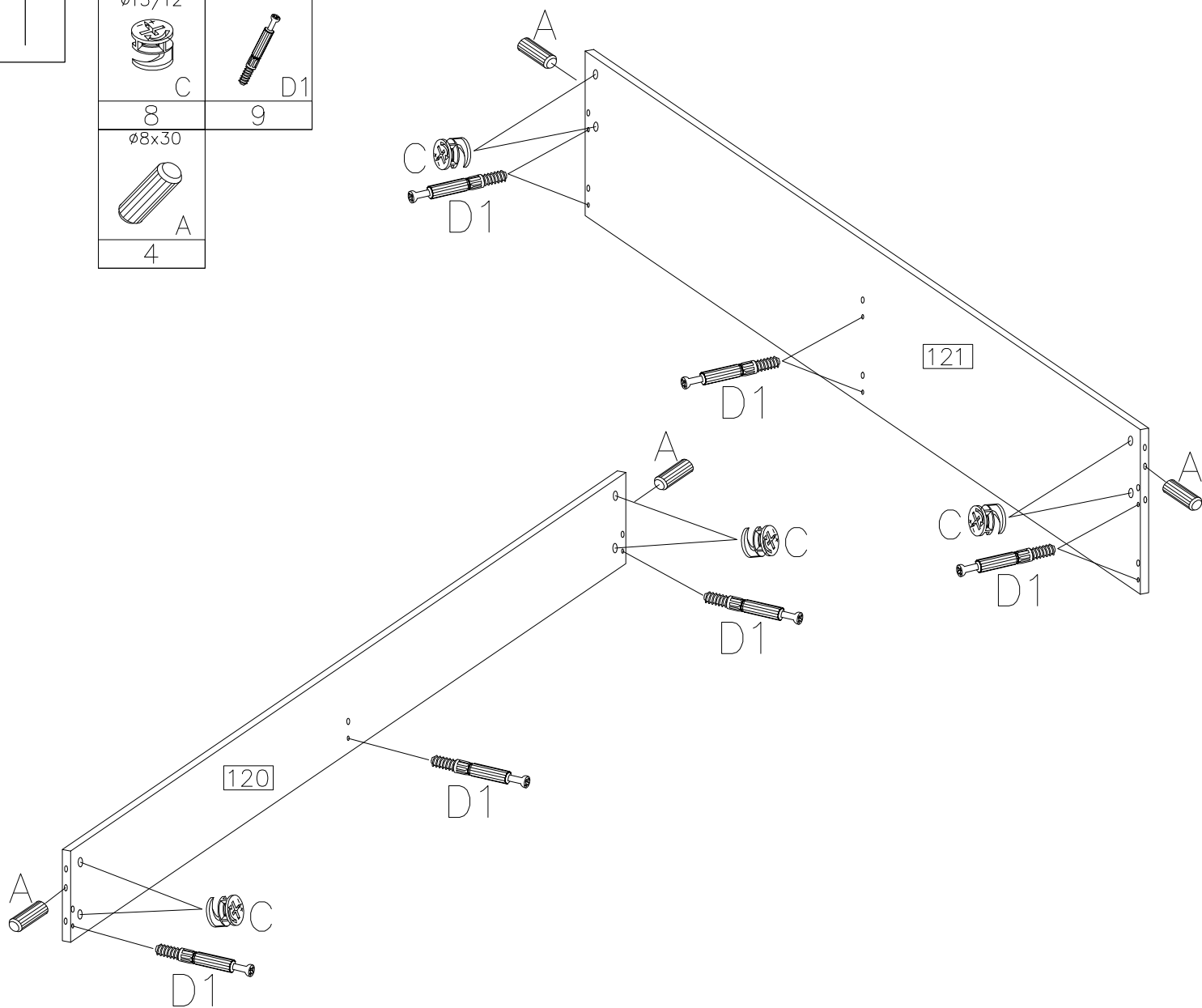


| | | | | | | | |
|-----------|----|----|----|----|-----|----|----|
| D1 | E | C | A | F1 | O11 | Z1 | P4 |
| 37 | 37 | 37 | 29 | 10 | 1 | 8 | 46 |
| M4.0x23mm | | | | | | | |
| R2 | S1 | J8 | | | | | |
| 8 | 4 | 8 | | | | | |


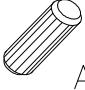




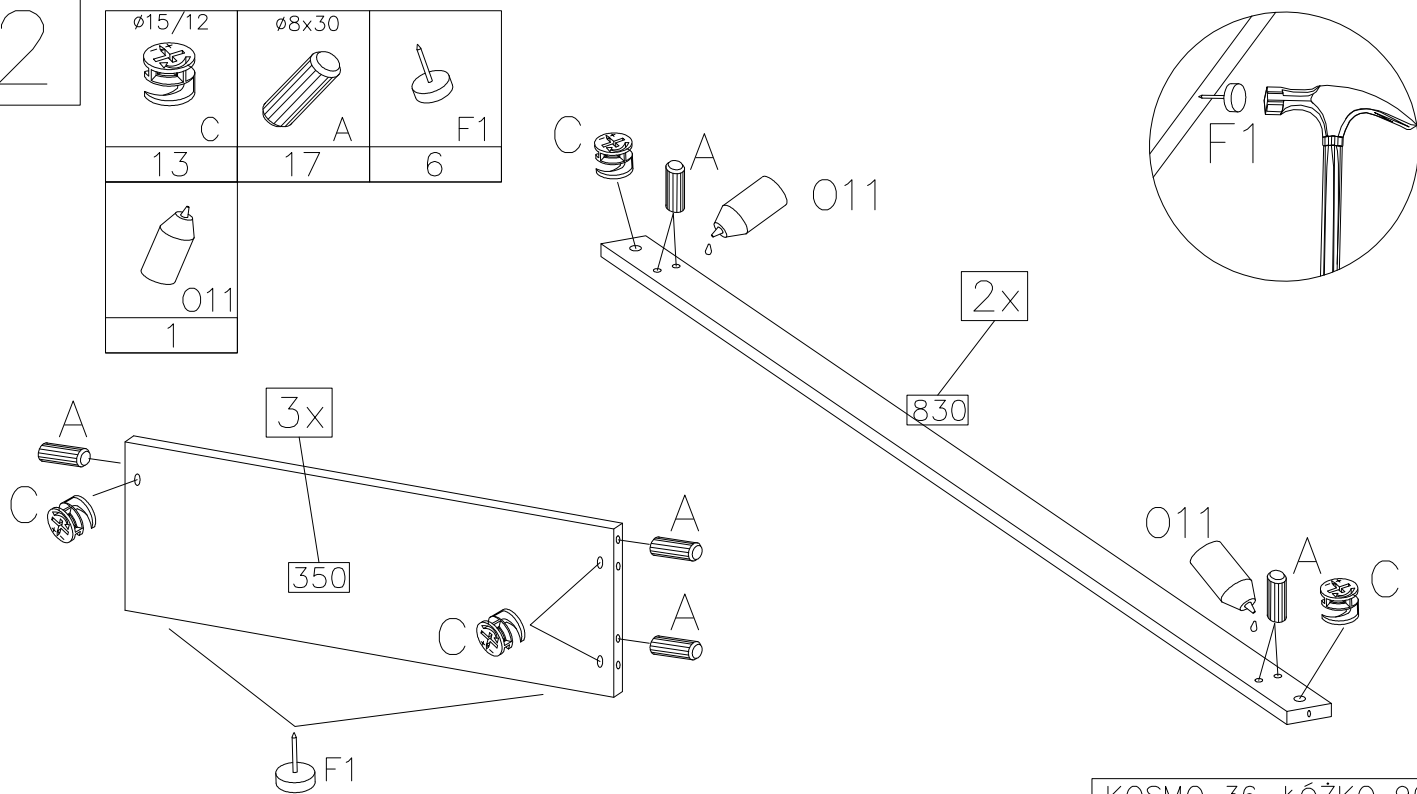
1

| | |
|---|--|
| $\varnothing 15/12$  C |  D1 |
| 8 | 9 |
| $\varnothing 8 \times 30$  A | |
| 4 | |





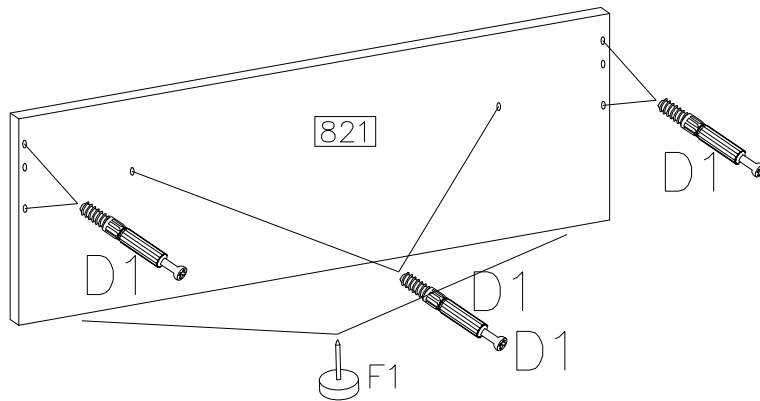
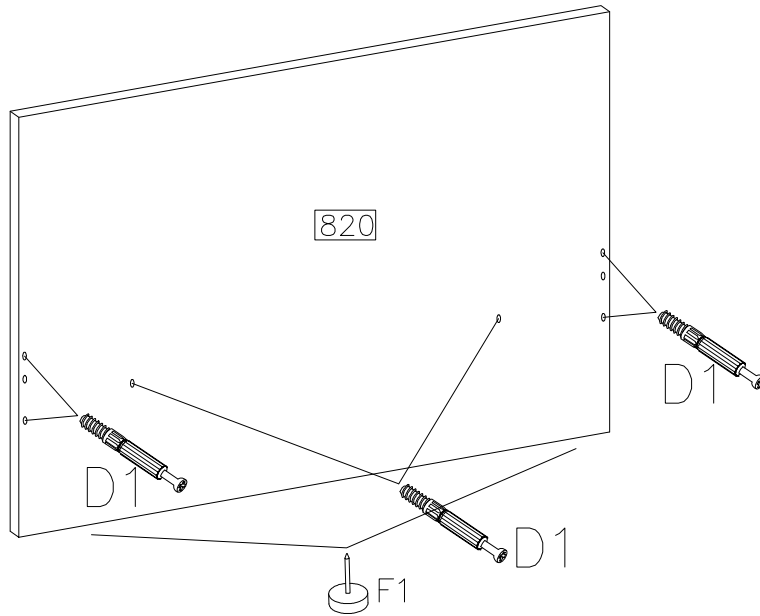
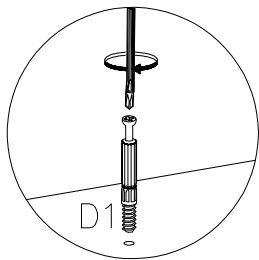
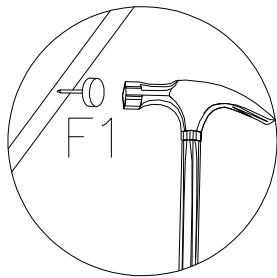
2

| | | |
|---|---|---|
| $\varnothing 15/12$  C | $\varnothing 8 \times 30$  A |  F1 |
| 13 | 17 | 6 |
|  O11 | | |
| 1 | | |




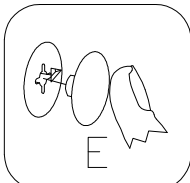
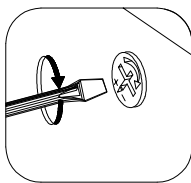
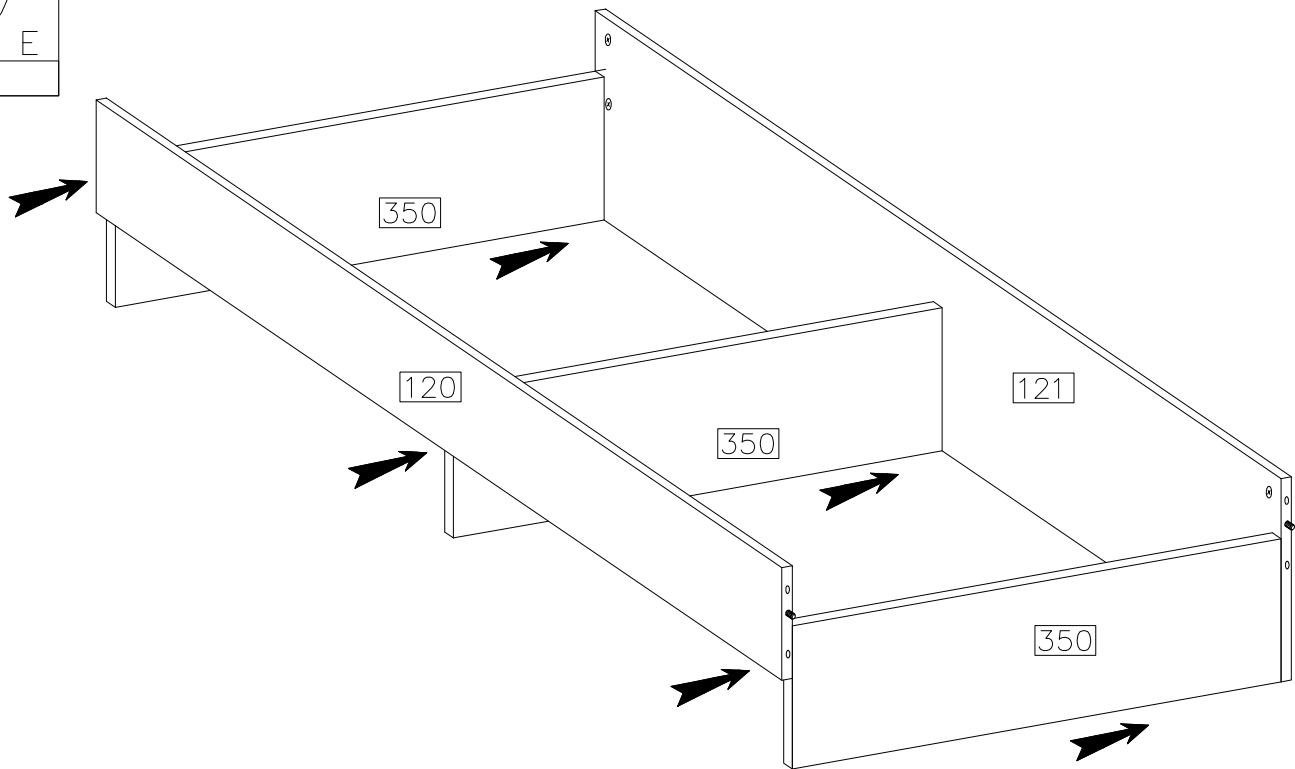
3

| | |
|--|--|
|  |  |
| D1 | F1 |
| 12 | 4 |

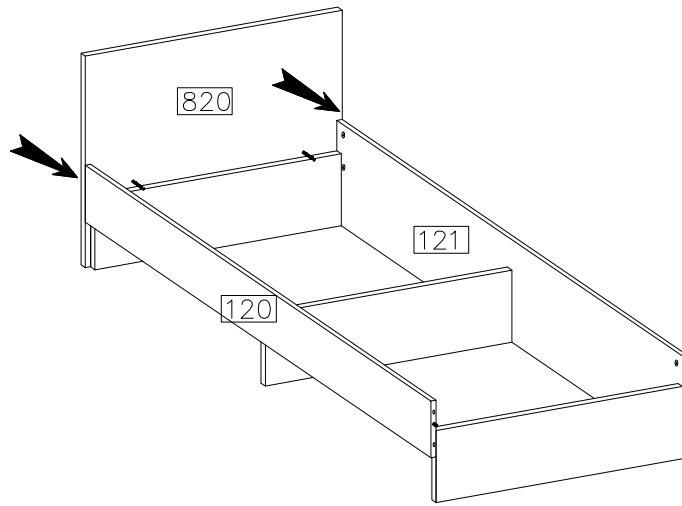
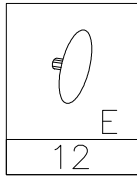


4

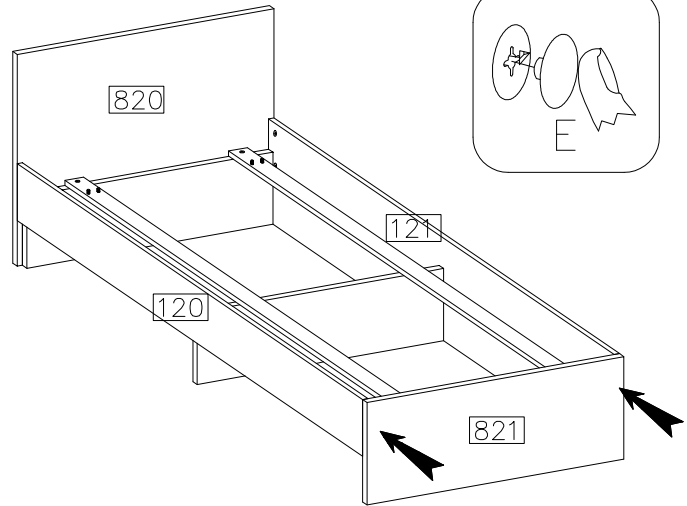
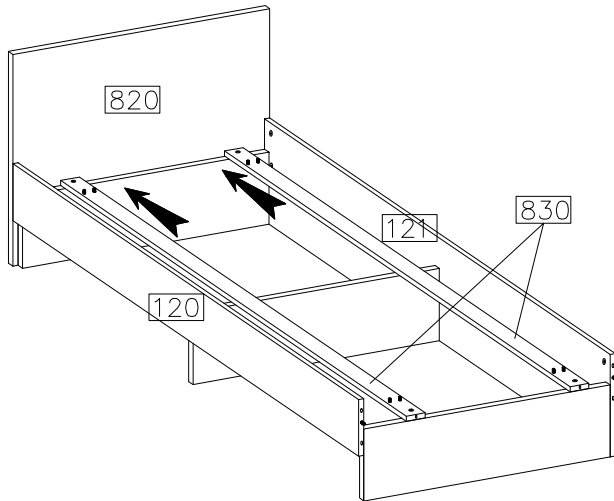
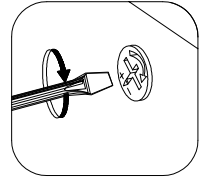
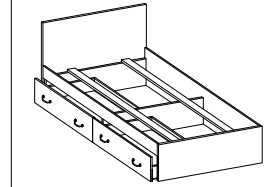
| |
|---|
|  |
| E |
| 9 |



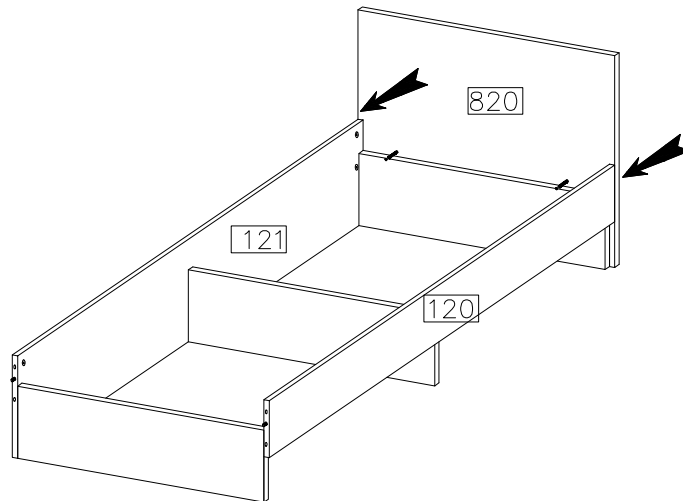
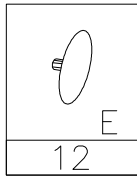
5 L



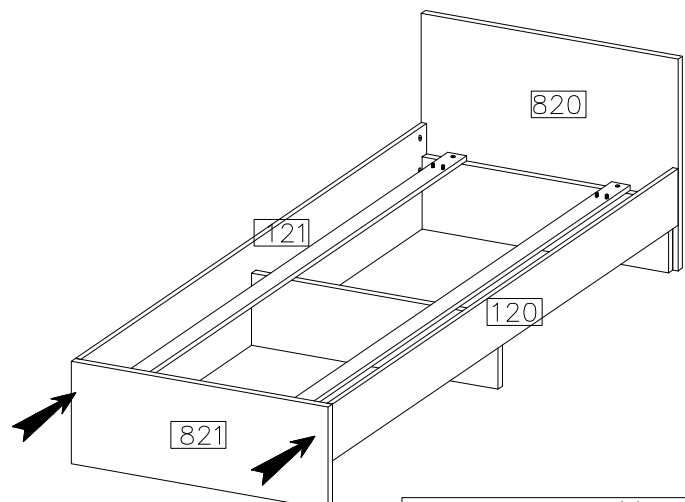
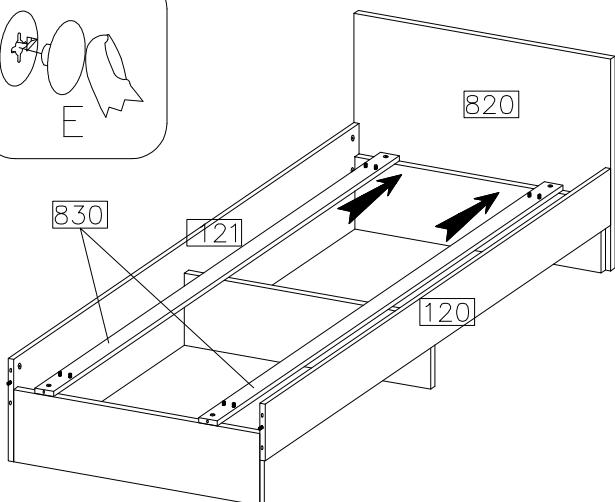
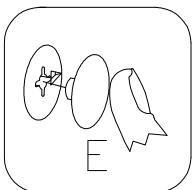
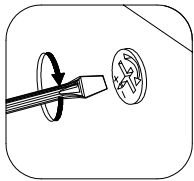
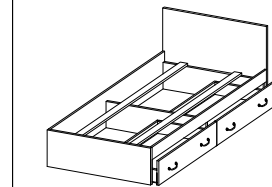
VERSION-L



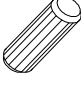


5 R



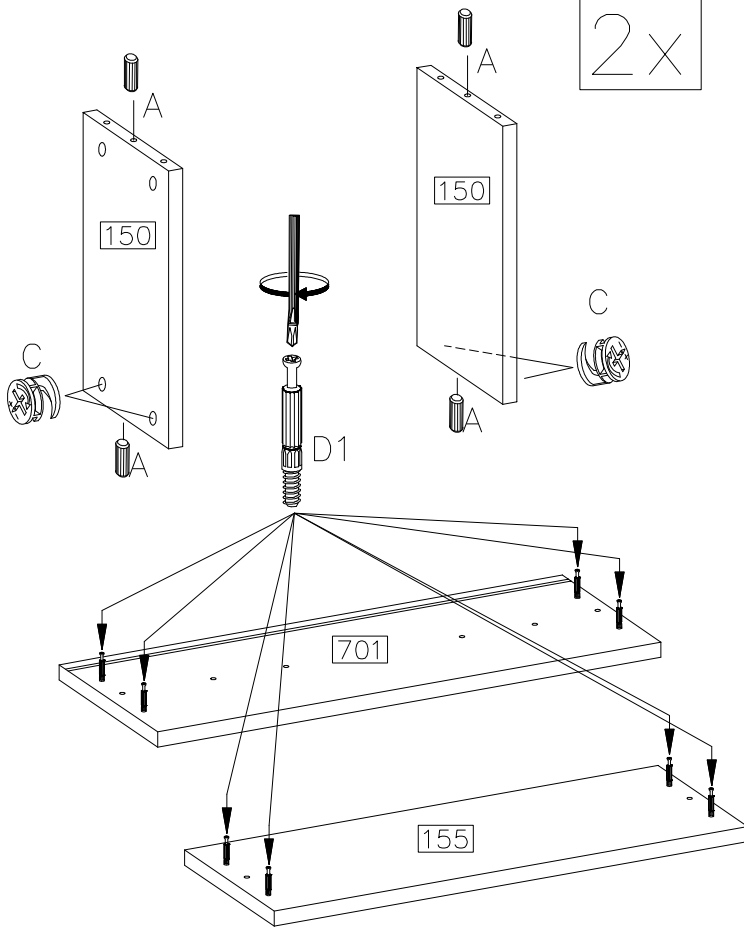
VERSION-R





6

| | | |
|--|--|---|
|  A |  C |  D1 |
| 8 | 8 | 16 |

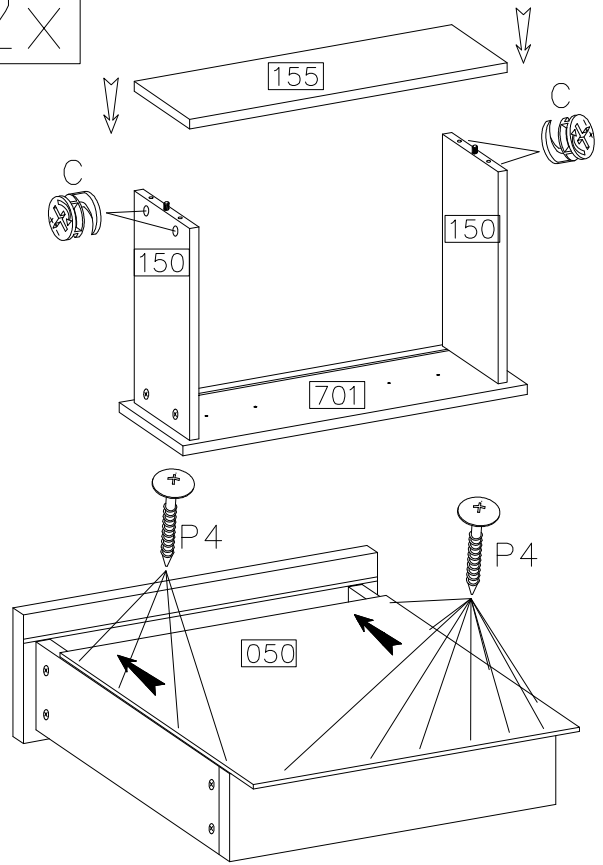
2x




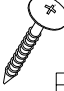





7

| | |
|---|---|
|  C |  P4 |
| 8 | 30 |

2x

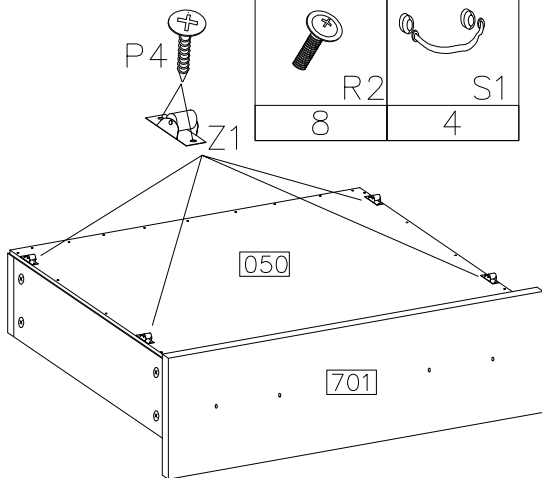
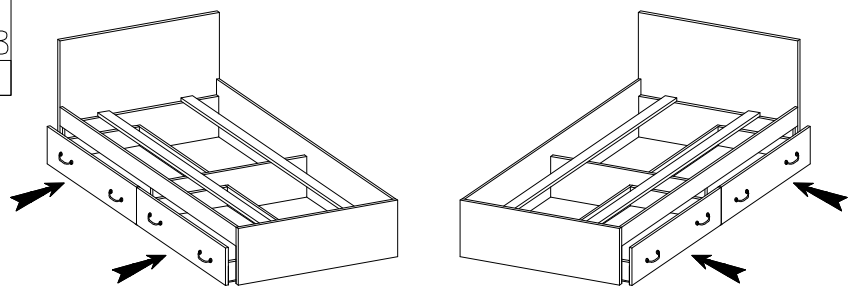


8

| | | | |
|---|---|---|---|
|  Z1 |  P4 |  E |  J8 |
| 8 | 16 | 16 | 8 |
|  P4 | |  R2 |  S1 |
| | | 8 | 4 |

VERSION-L

VERSION-R



2x

