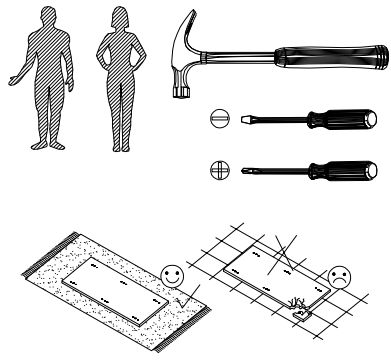
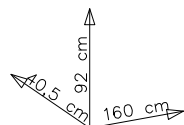
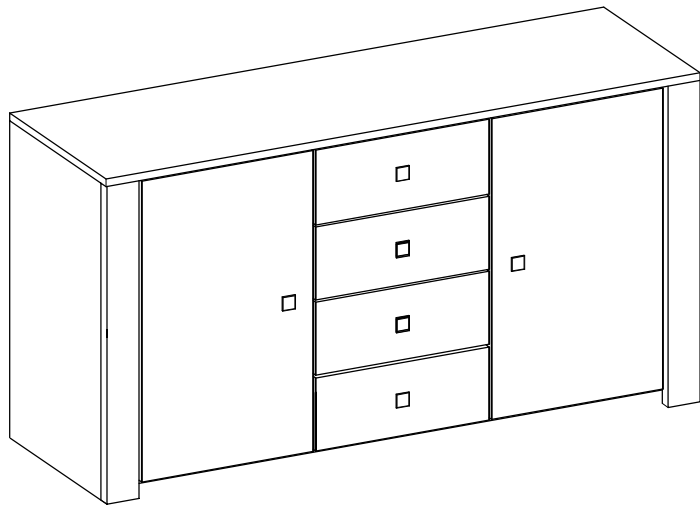
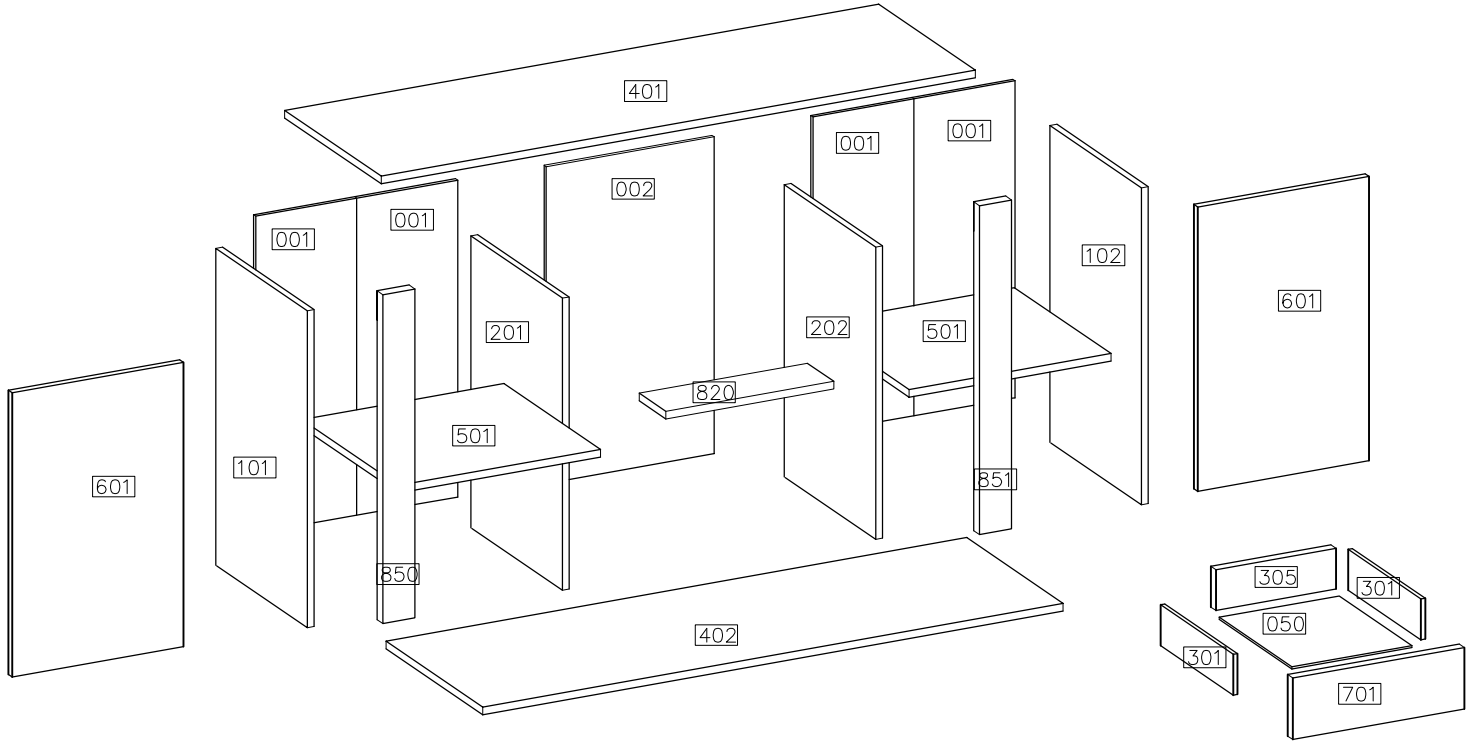


# NEWADA-06

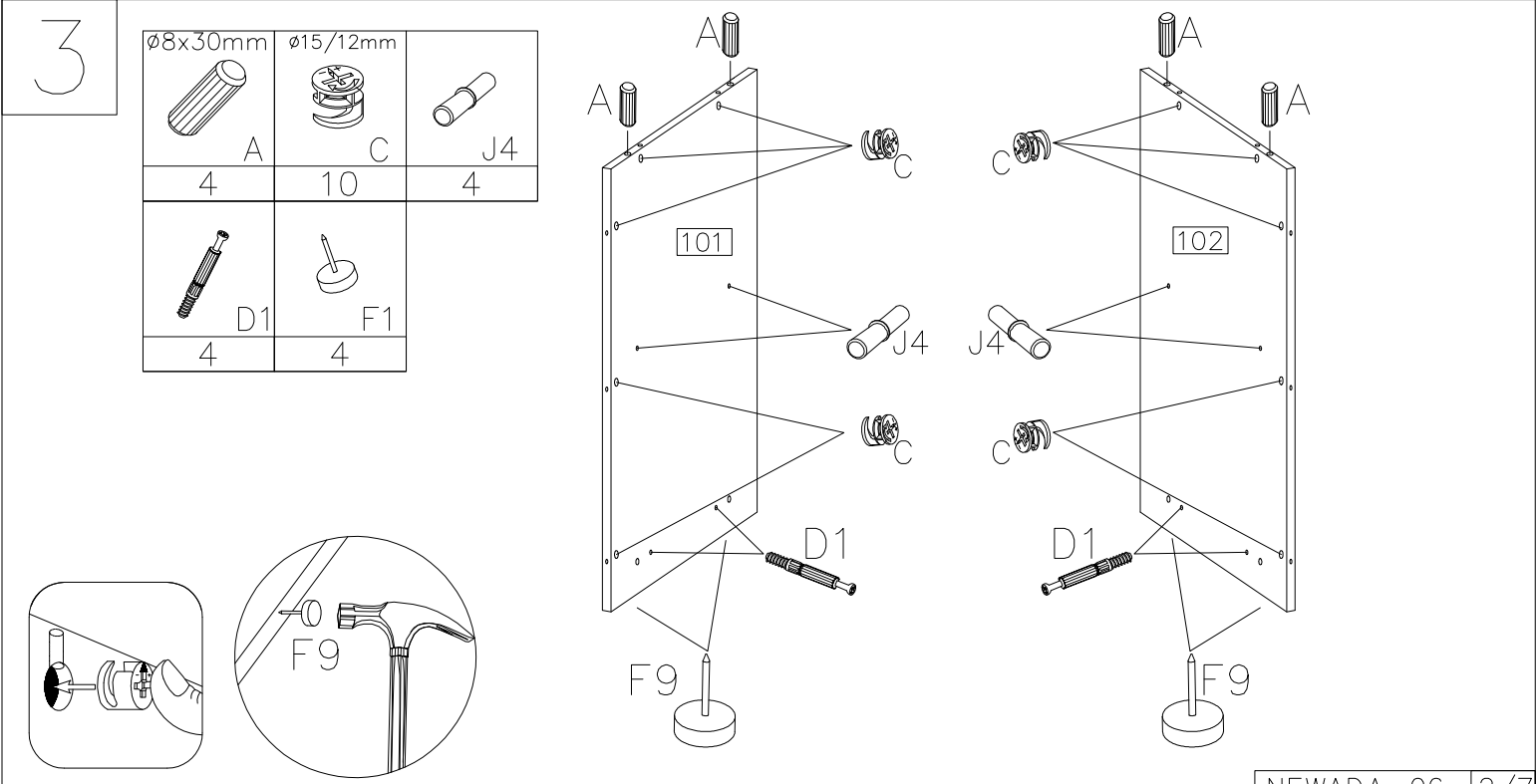
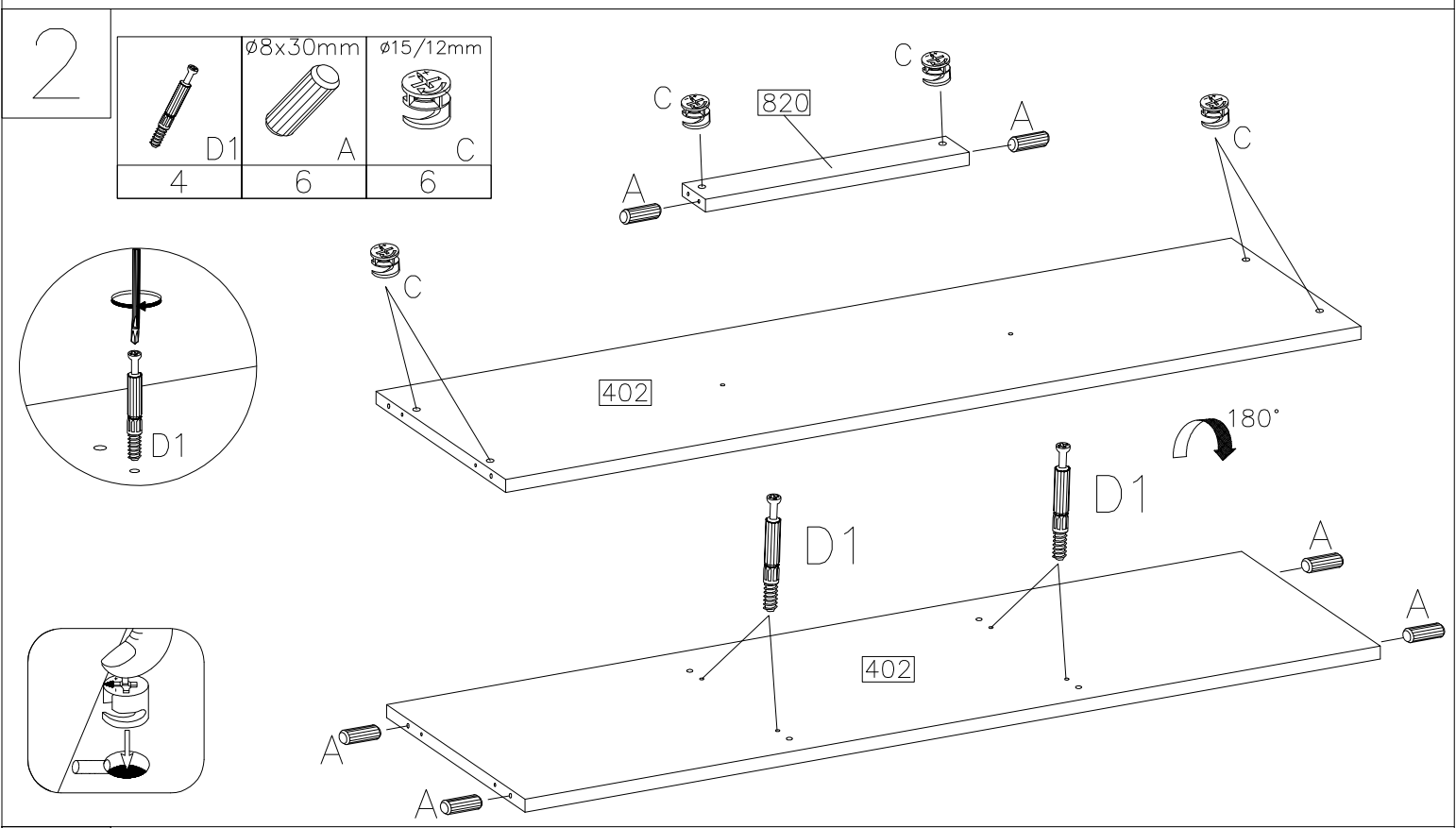
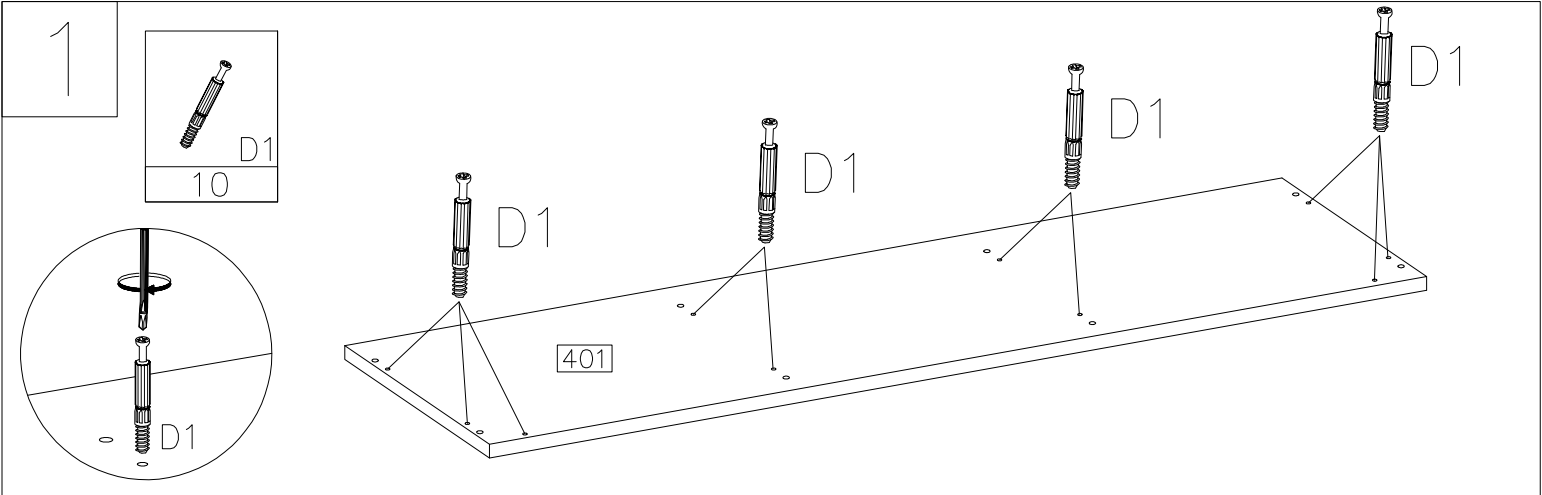


#	ART. NR	QUANTITY
1	401	1
2	402	1
3	501	2
4	101	1
5	102	1
6	201	1
7	202	1
8	001	4
9	002	1
10	820	1
11	850	1
12	851	1
13	701	4
14	301	8
15	305	4
16	050	4
17	601	2

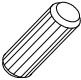

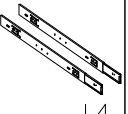

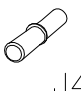



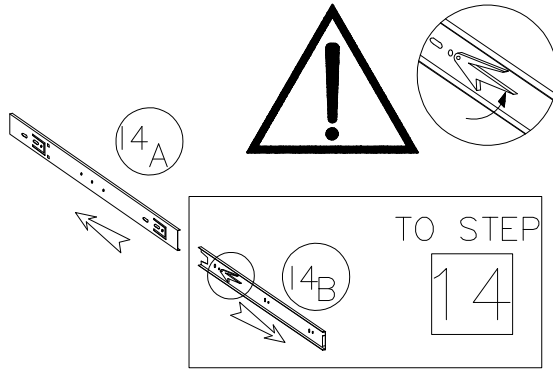
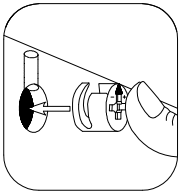
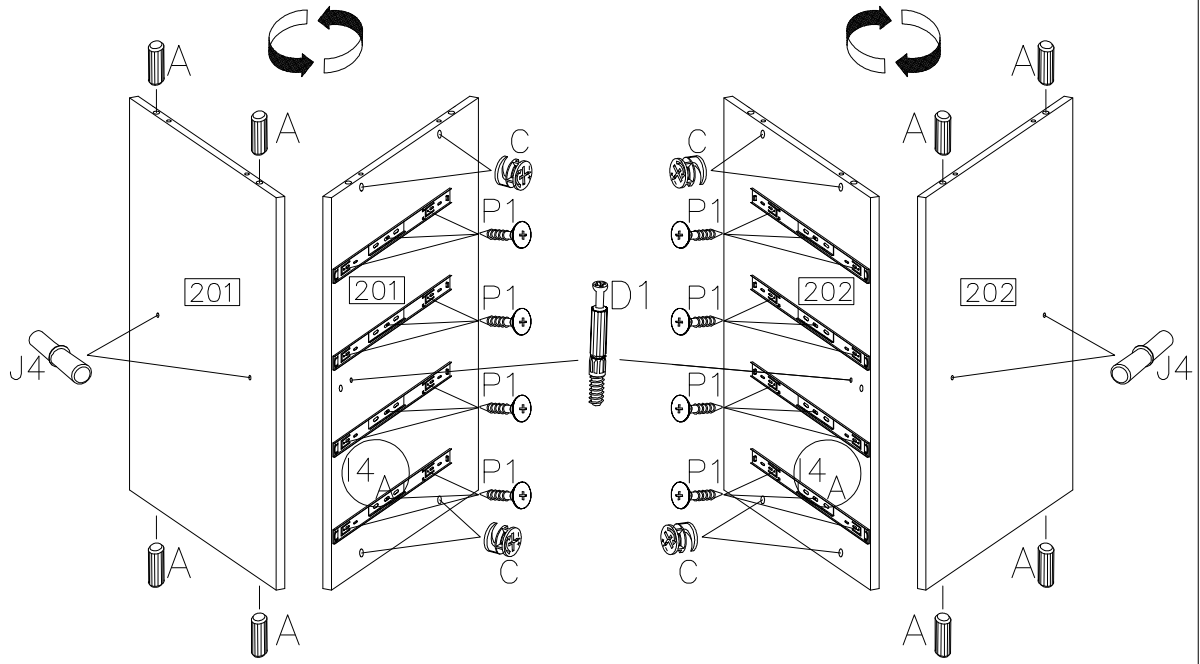
D1	C	E	A	P1	F9	H5	G9
42	42	42	50	56	4	4	4
F4	S1	R2	J4	I4	F10	F8	Z1
2	6	6	8	4KPL	60	10	2






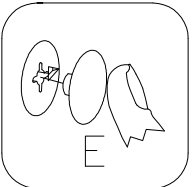
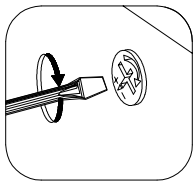
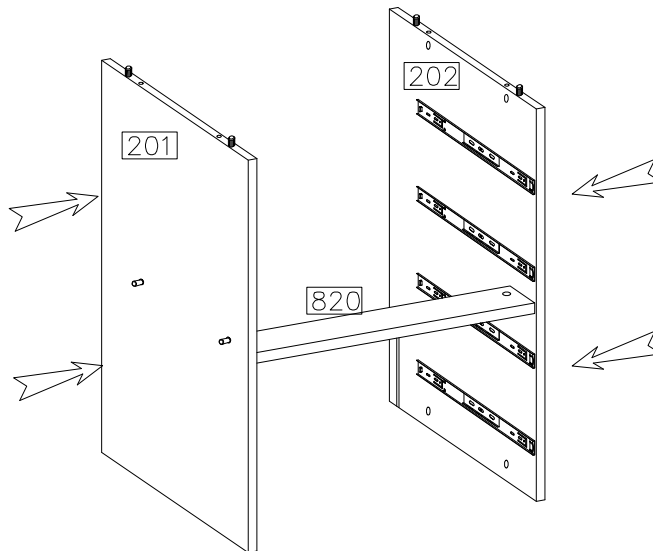
4

 ø8x30mm A 8	 ø15/12mm C 8
 14 4KPL	 ø4.0x16mm P1 24
 J4 4	 D1 2







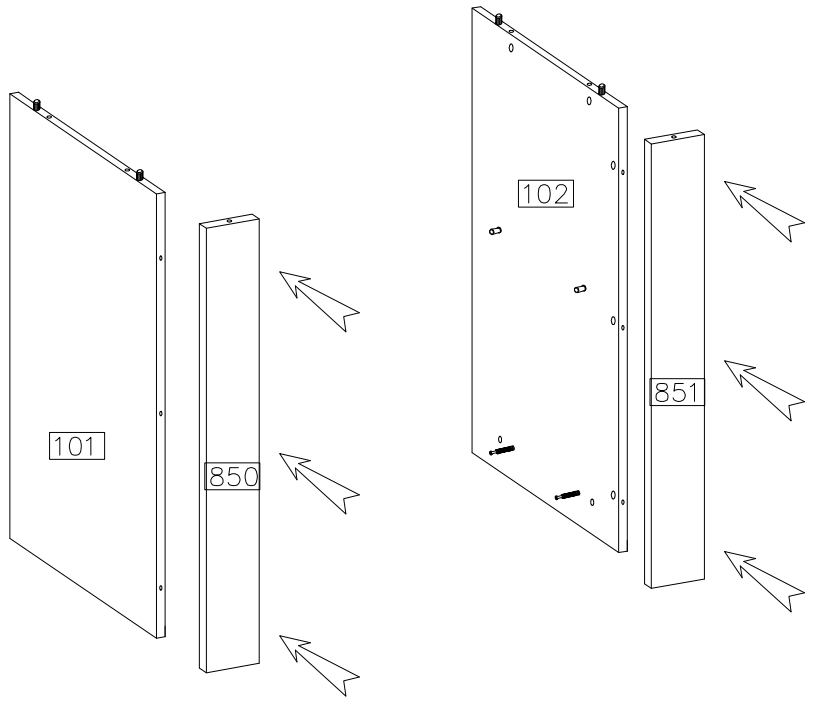
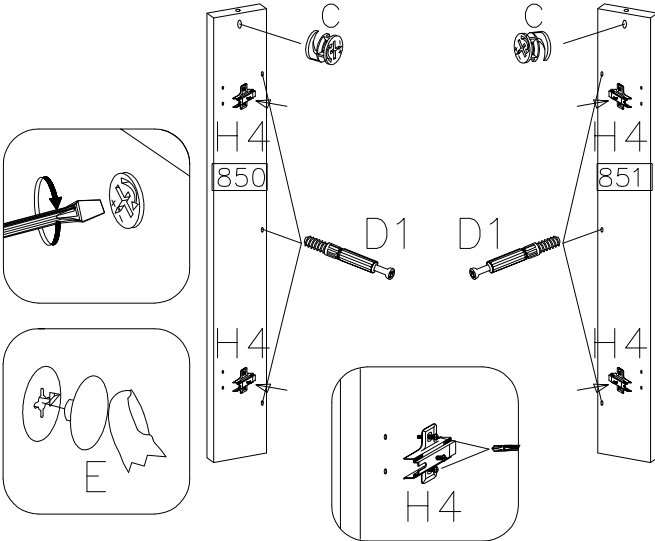
5

 E 2
-----------------------------------------------------------------------------------------------




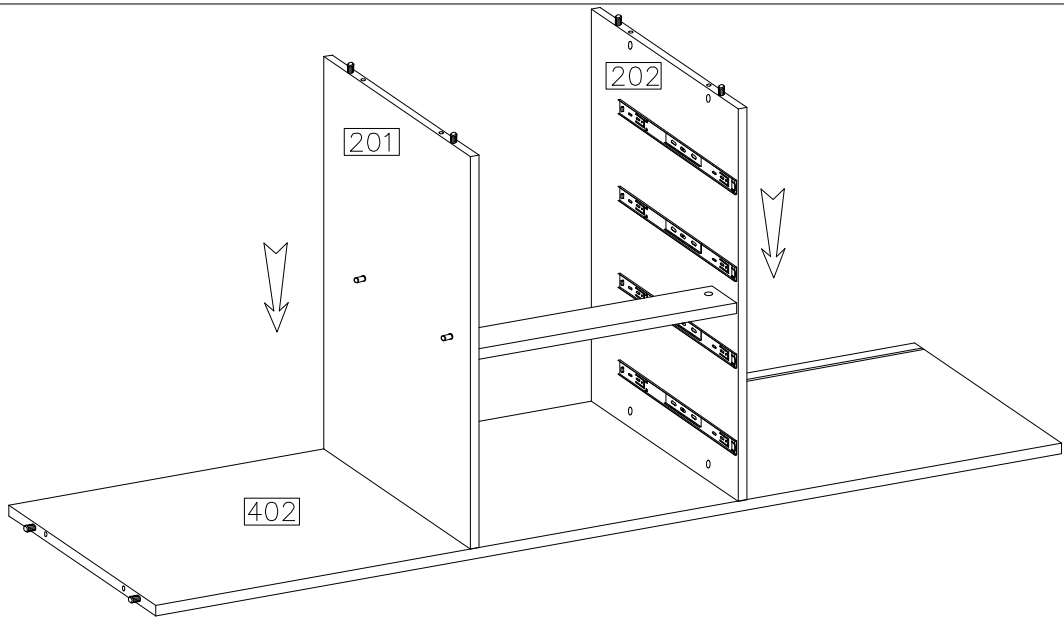
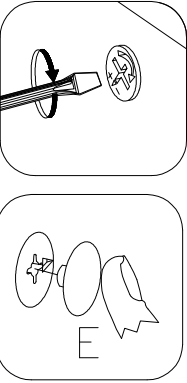
6

	 H=0 H4		 $\phi 15/12\text{mm}$ C
6	4	6	2




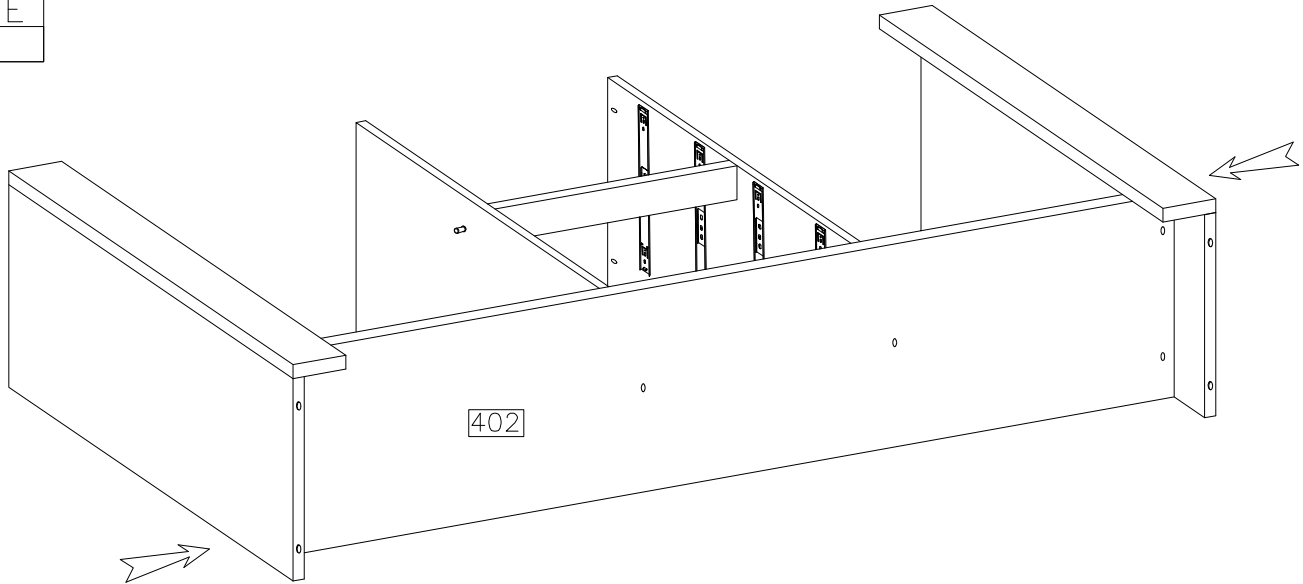
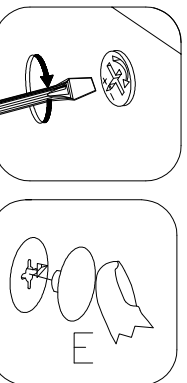
7

	E
4	

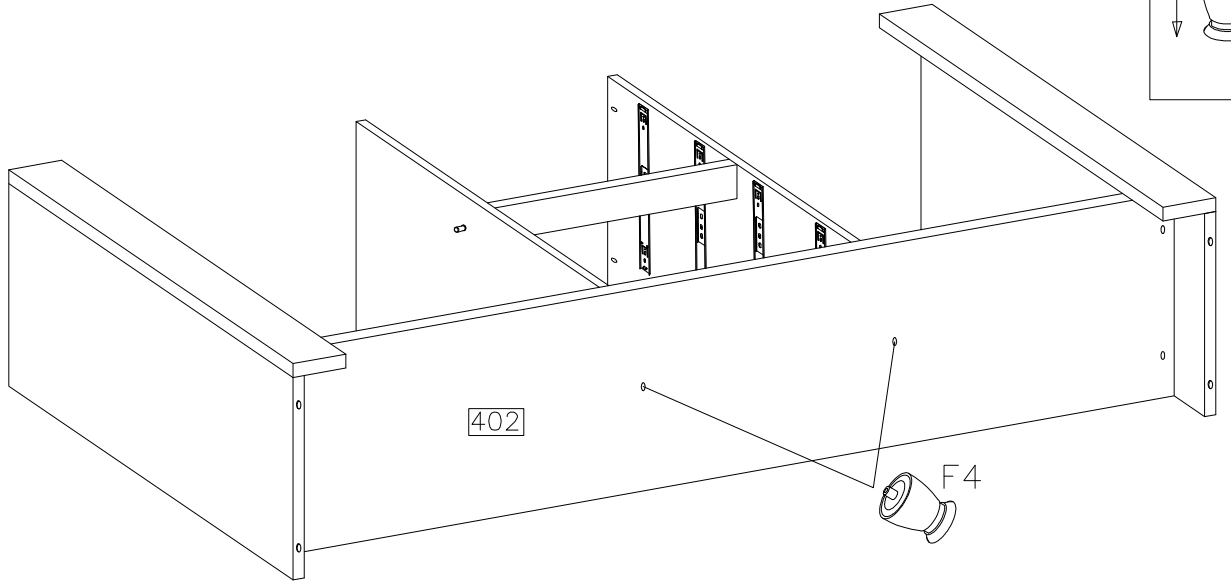
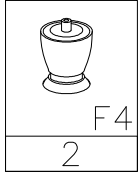
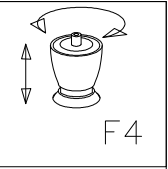


8

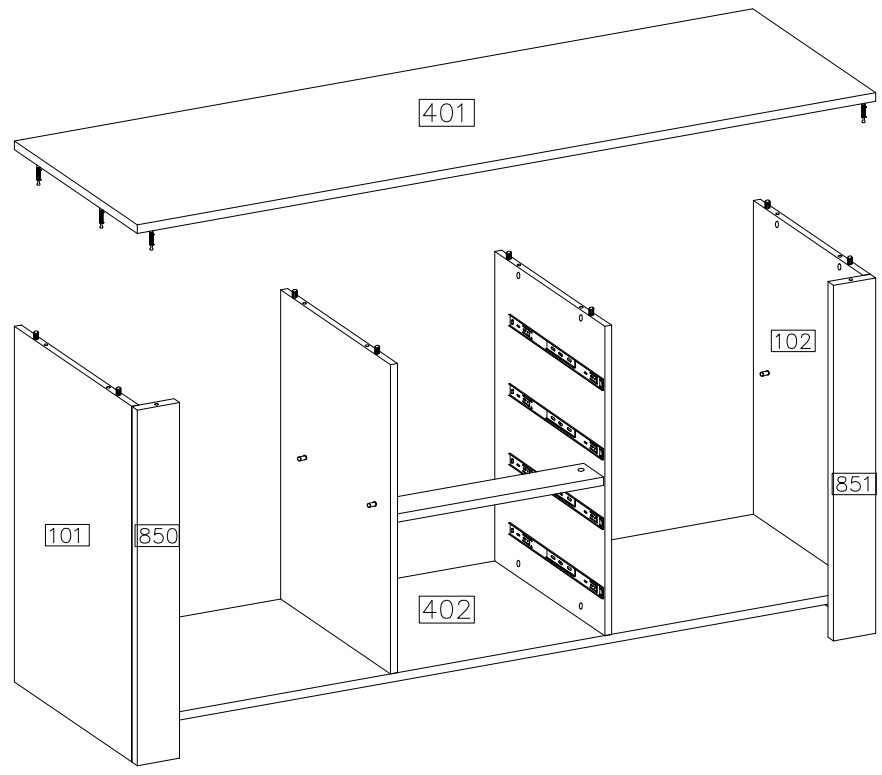
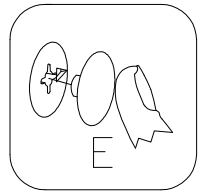
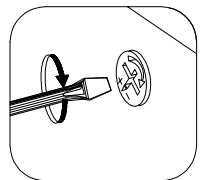
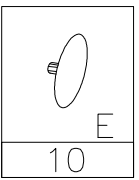
	E
4	



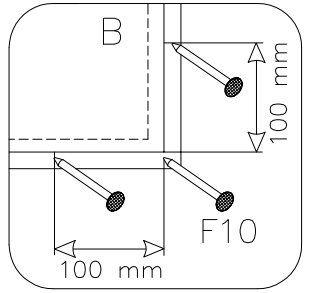
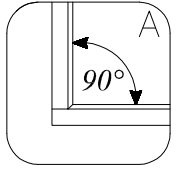
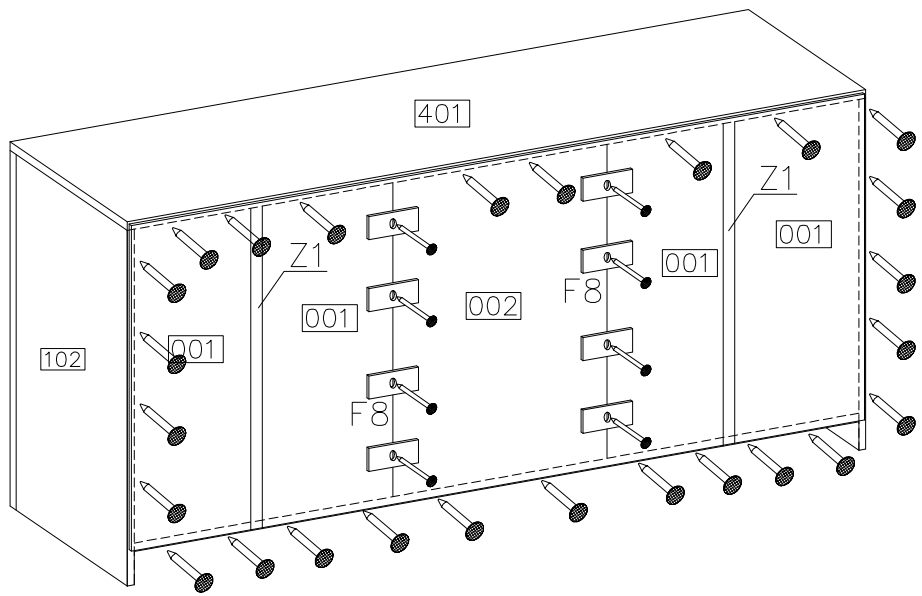
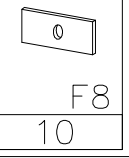
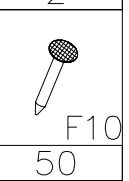
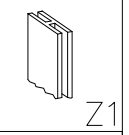
9



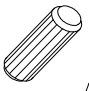



10



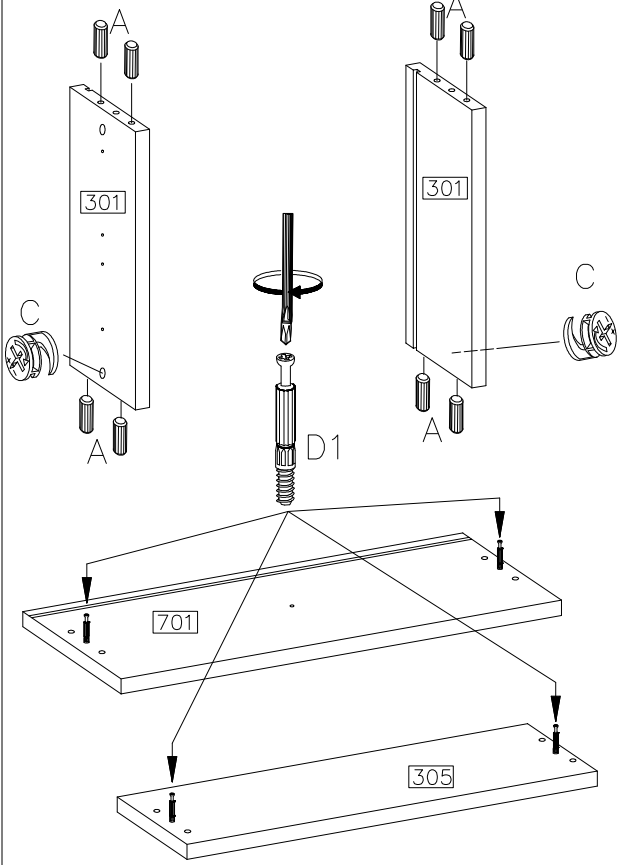
11





12

$\varnothing 8 \times 30 \text{mm}$	$\varnothing 15/12 \text{mm}$
	
A	D1
32	16
	
C	C
8	8

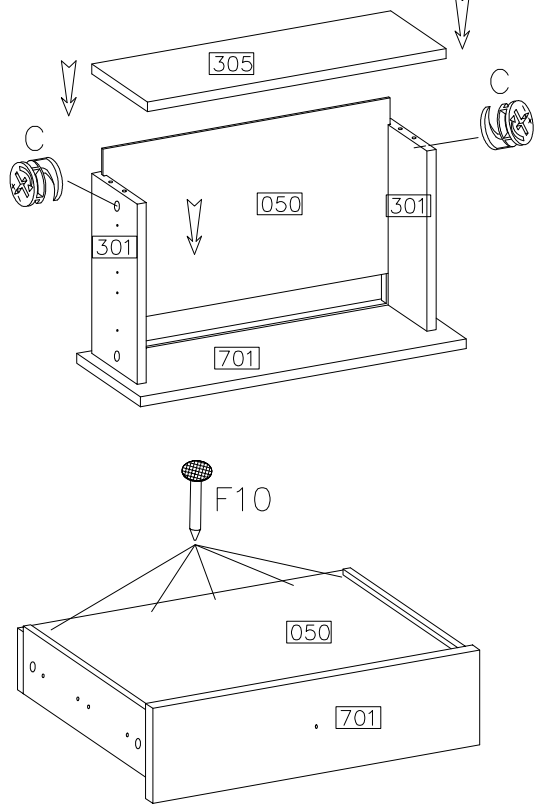
4x



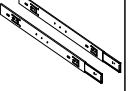

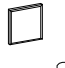
13

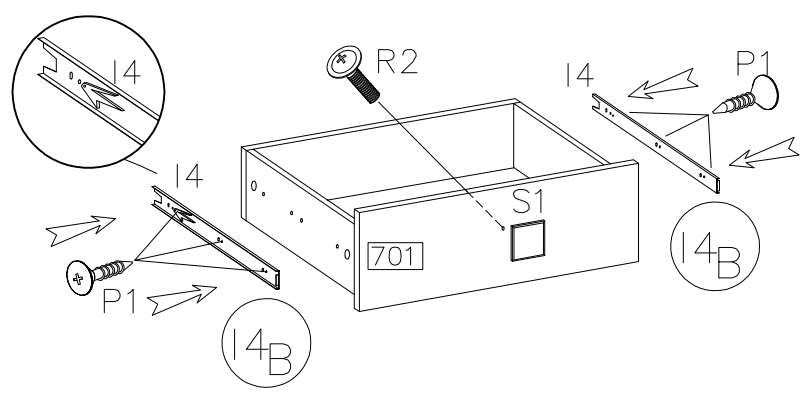
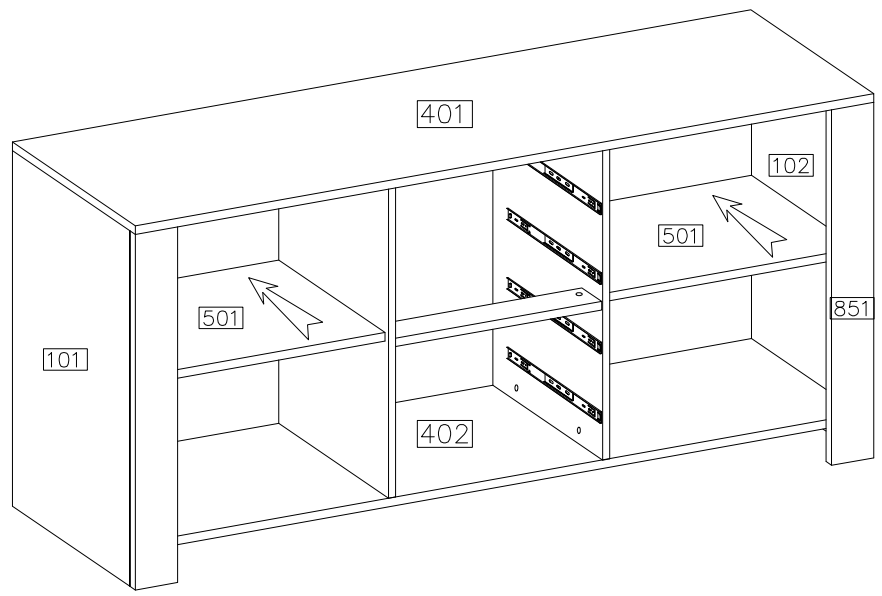
$\varnothing 15/12 \text{mm}$

F10
20

C
8

4x



14

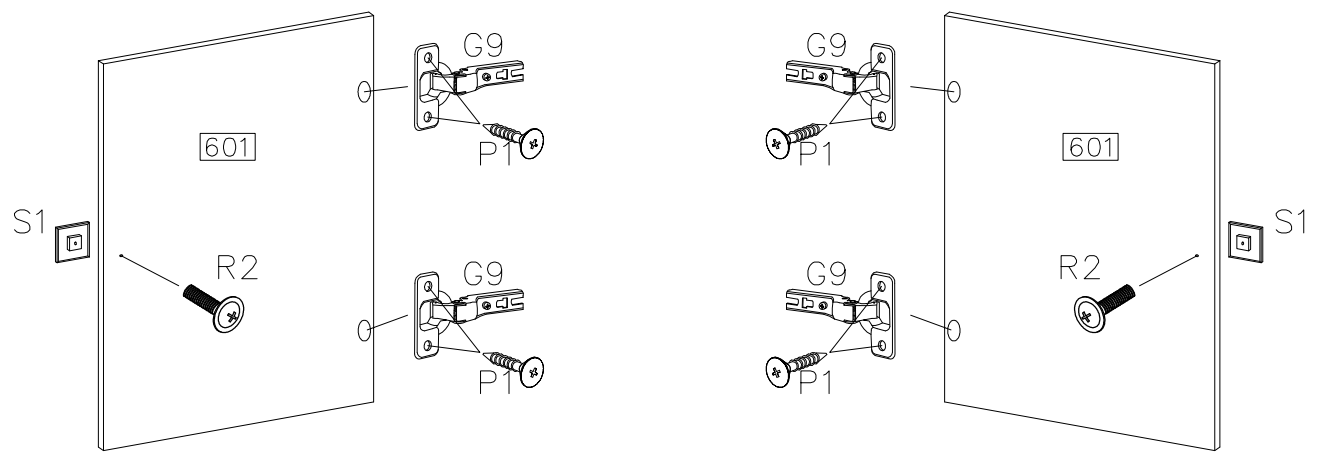
$\varnothing 4.0 \times 16 \text{mm}$	$\varnothing 4.0 \times 16 \text{mm}$
	
I4	P1
4KPL	24
	$\text{M}4.0 \times 23 \text{mm}$
S1	R2
4	4



4x

15

∅35/KR90	∅4.0x16mm		M4.0x23mm
G9	P1	S1	R2
4	8	2	2



16

