
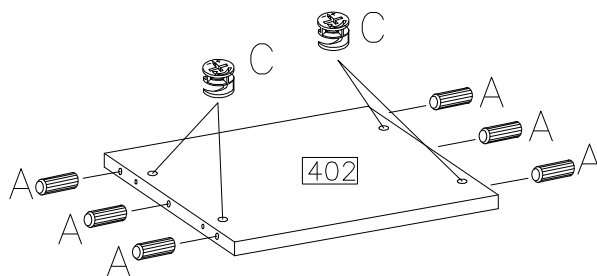
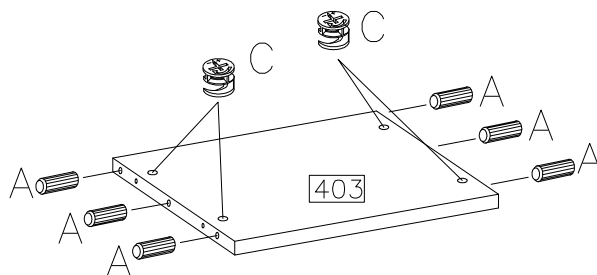
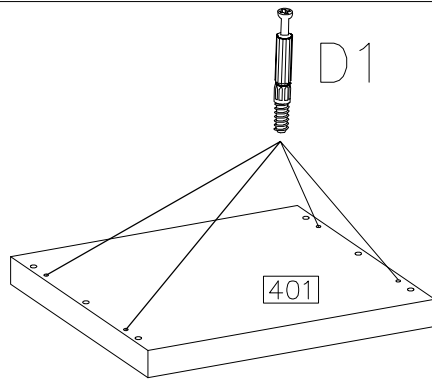
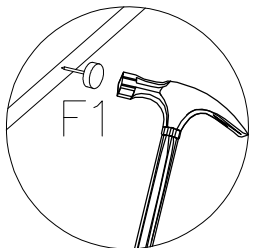
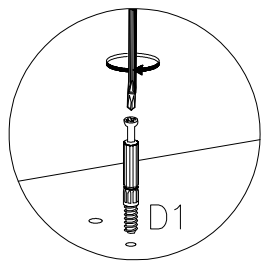







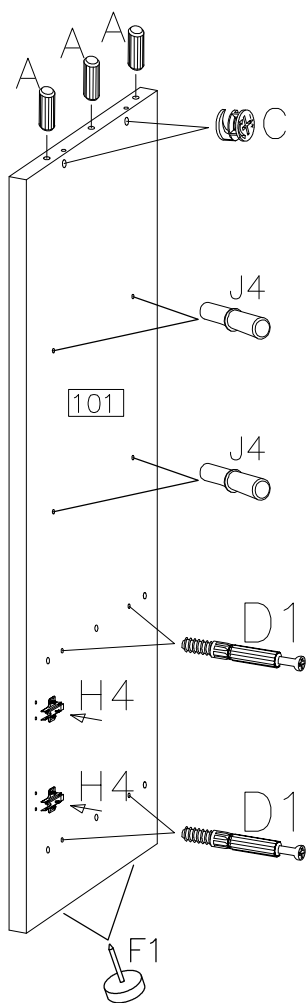
1

	$\phi 15/12\text{mm}$	$\phi 8 \times 30\text{mm}$
D1	C	A
4	8	12

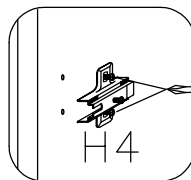


2

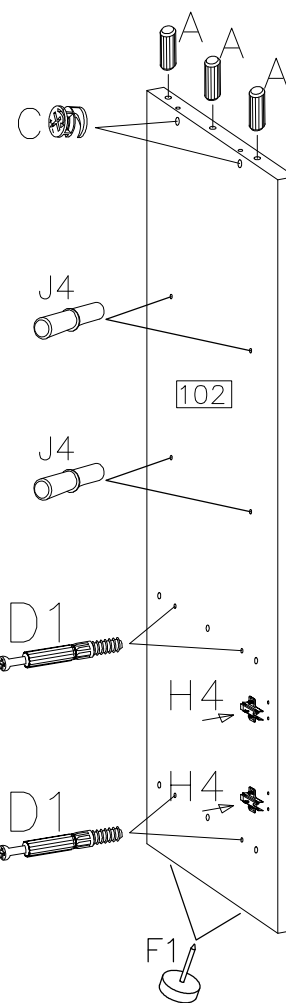
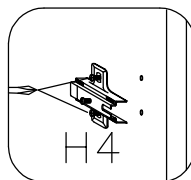
	D1
8	$\phi 15/12\text{mm}$
	C
4	H=0
	H4
2	$\phi 8 \times 30\text{mm}$
	A
6	
	J4
8	



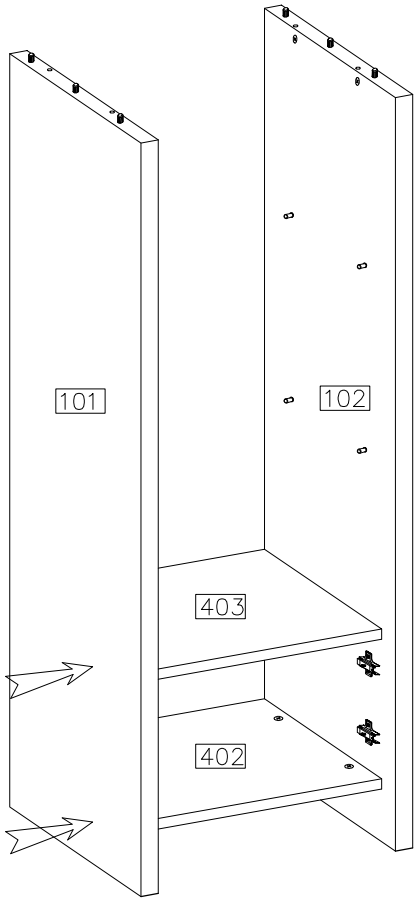
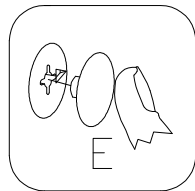
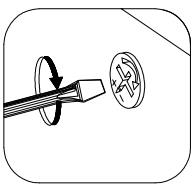
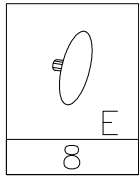
VERSION-L



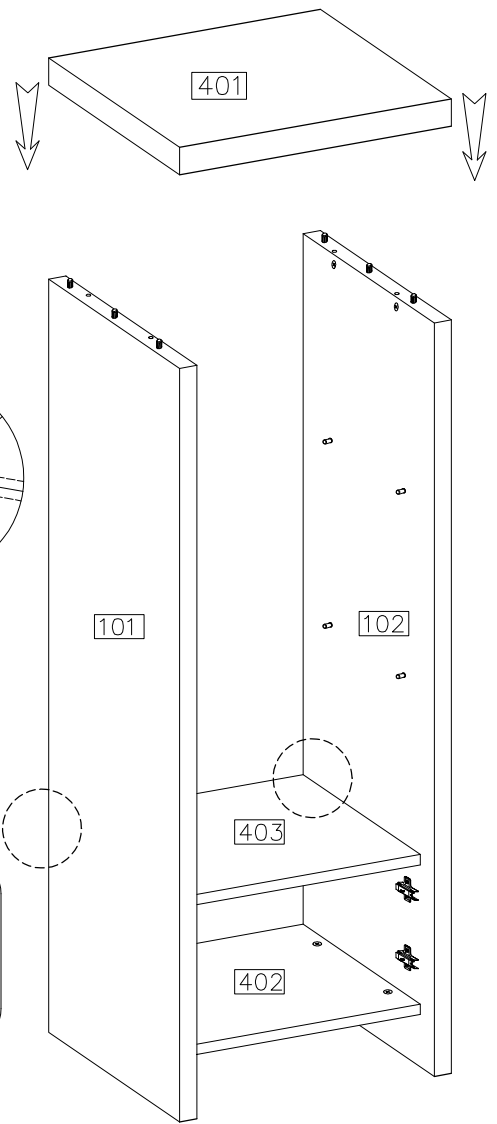
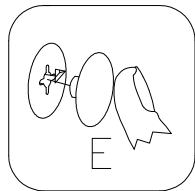
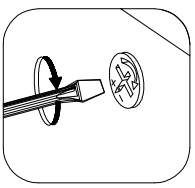
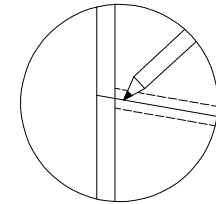
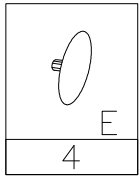
VERSION-R



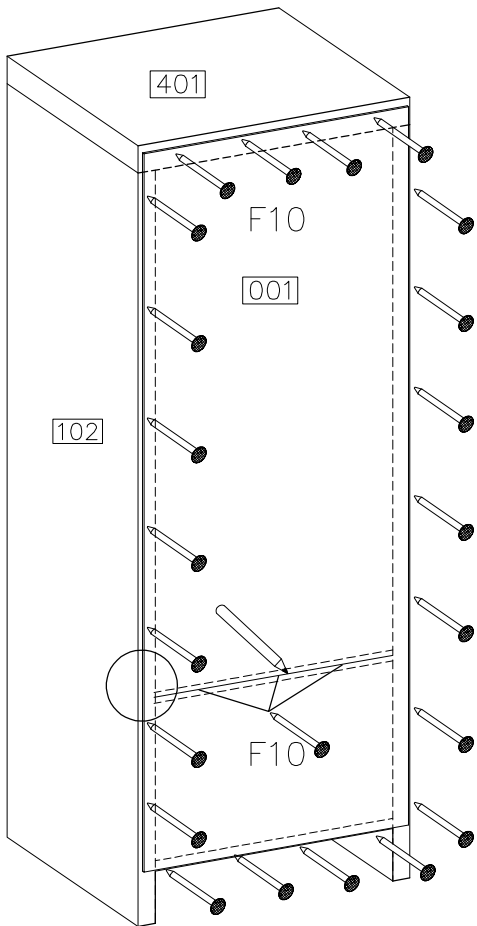
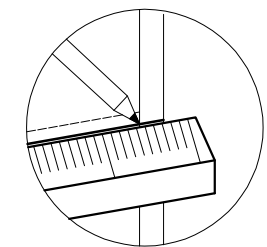
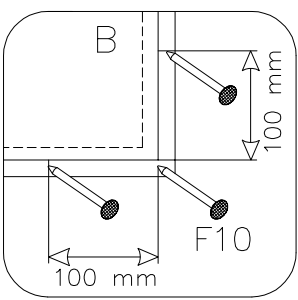
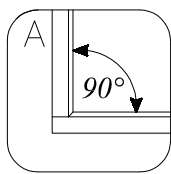
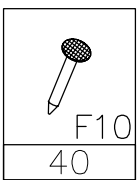
3



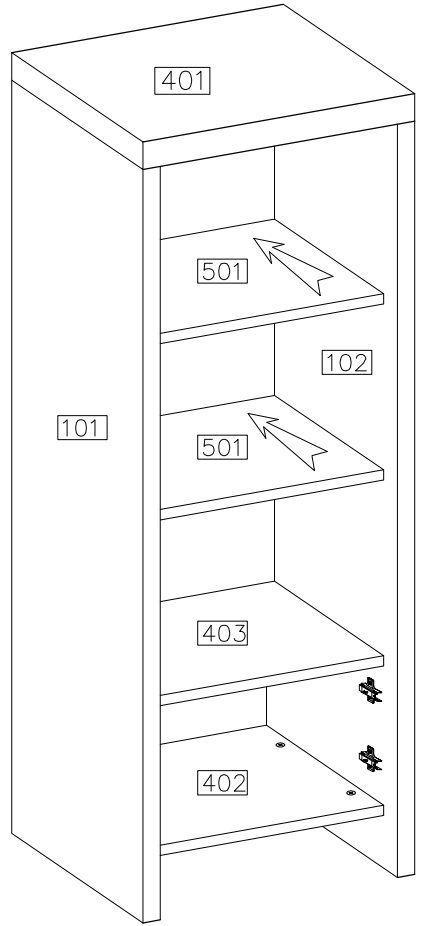
4



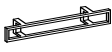
5

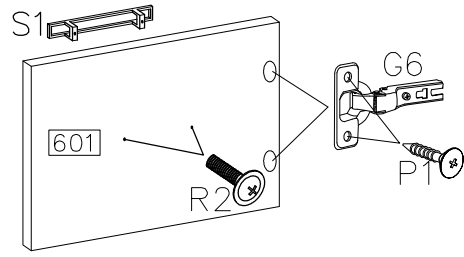


6



7

	M4.0x23	ø35/KR-0	ø4.0x16mm
S1	R2	G6	P1
1	2	2	4



8

VERSION-L

VERSION-R

