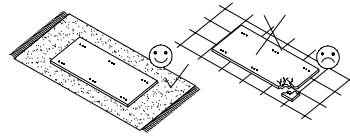
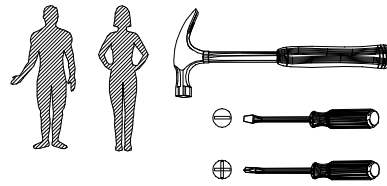
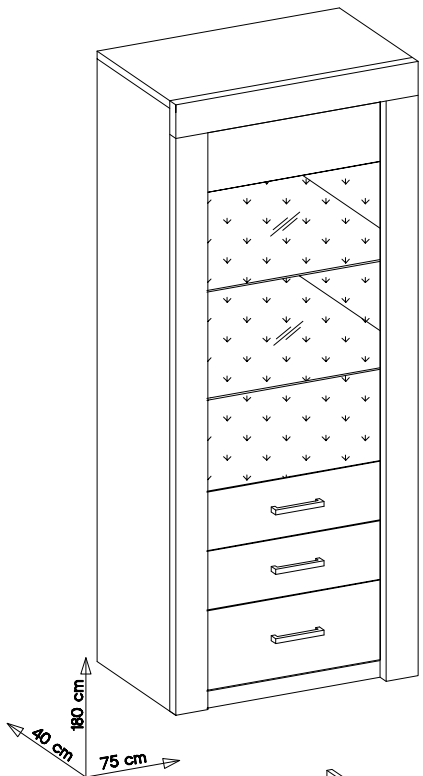
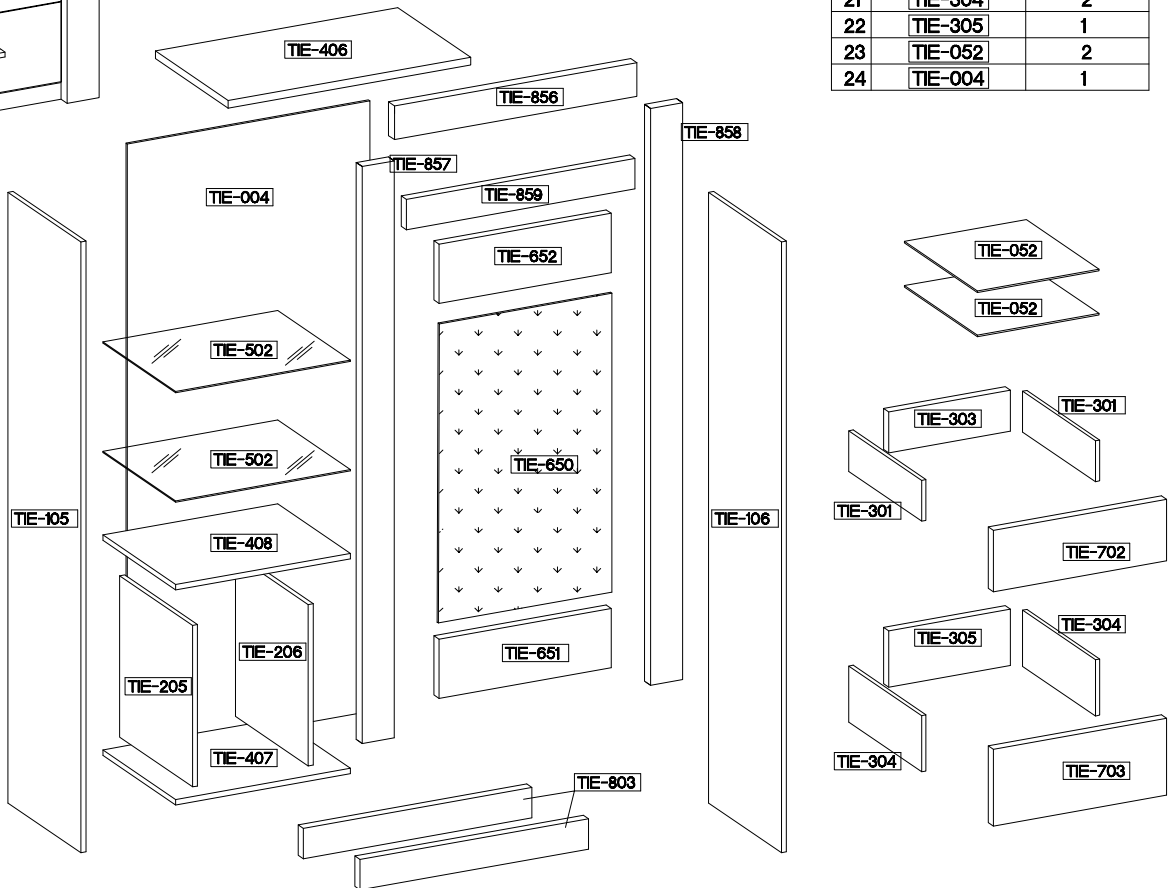


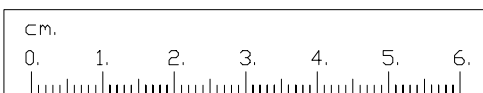
TIENEN-02





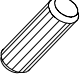
#	ART. NR	QUANTITY
1	TIE-406	1
2	TIE-407	1
3	TIE-408	1
4	TIE-105	1
5	TIE-106	1
6	TIE-205	1
7	TIE-206	1
8	TIE-502	2
9	TIE-650	1
10	TIE-651	1
11	TIE-652	1
12	TIE-803	2
13	TIE-856	1
14	TIE-857	1
15	TIE-858	1
16	TIE-859	1
17	TIE-702	1
18	TIE-703	1
19	TIE-301	2
20	TIE-303	1
21	TIE-304	2
22	TIE-305	1
23	TIE-052	2
24	TIE-004	1

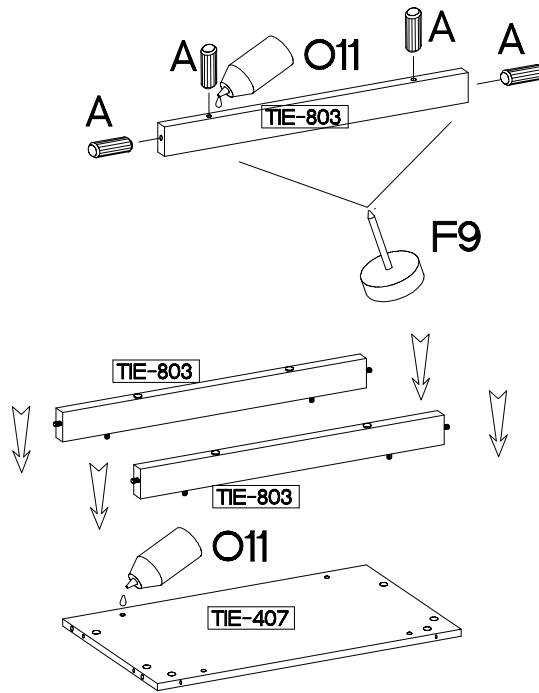


D1 45	C 45	E 45	A 48	J4 8	H2 2	G6 2	L 10	P1 4	S1 3	R2 6
F9 8	O11 1	I4 4	F10 10	P8 9	J8 6					

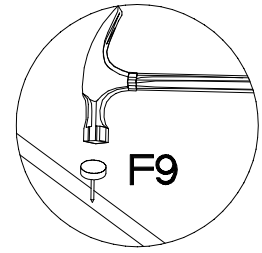


1



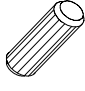
 O11	 F9
1	4
$\varnothing 8 \times 30 \text{mm}$	
 A	
8	

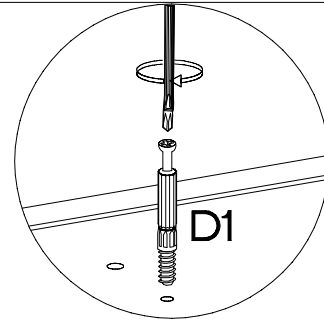
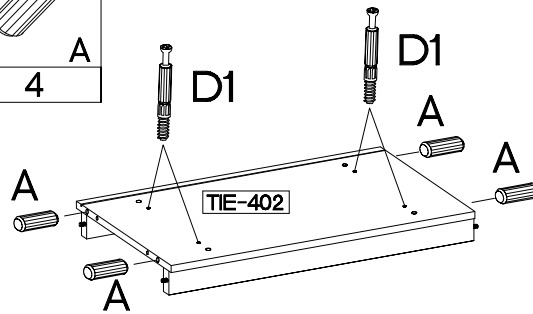


X2






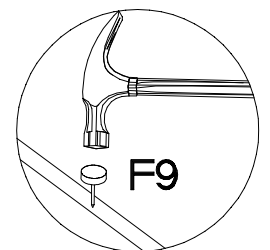
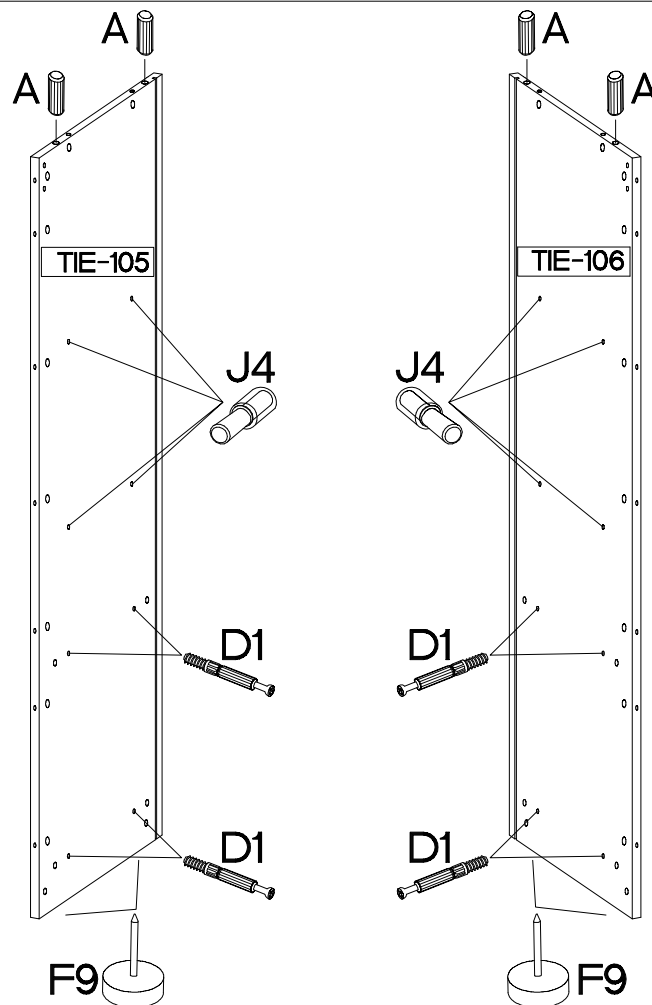
2

 D1	 O11	$\varnothing 8 \times 30 \text{mm}$
4	1	A
		

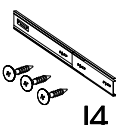

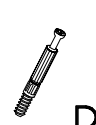


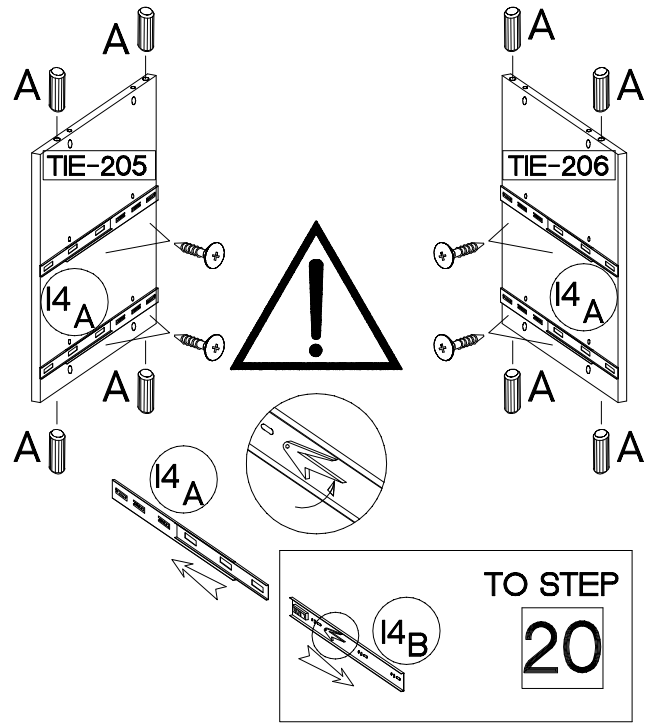
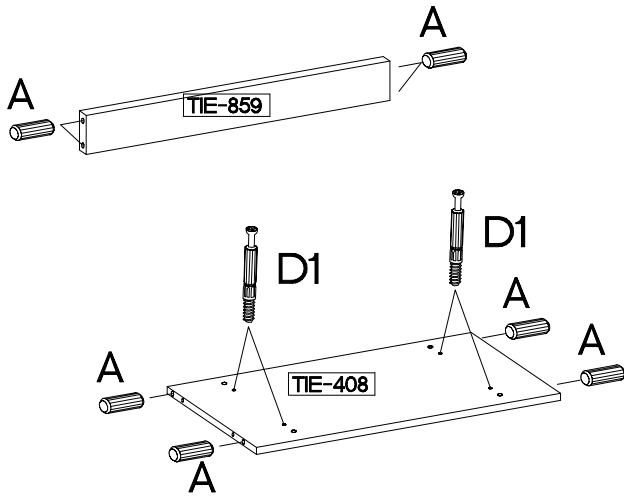
3

$\varnothing 8 \times 30 \text{mm}$	 D1
A	8
 J4	 F9
8	4


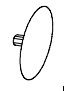


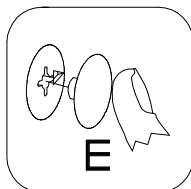
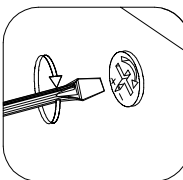
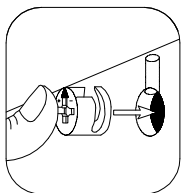
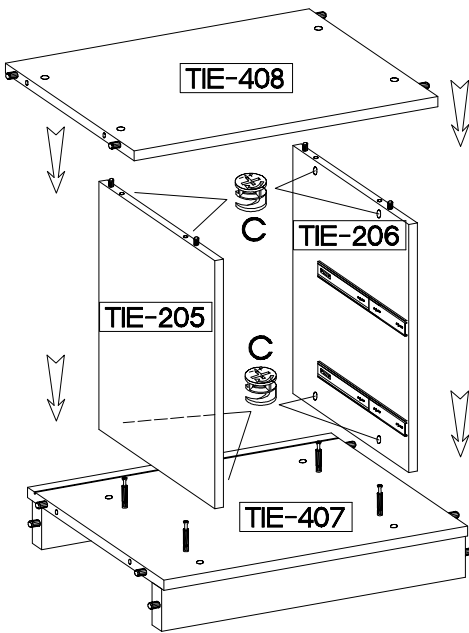
4

	$\pm 8 \times 30 \text{mm}$ 	
I4 4 KPL	A 16	D1 4

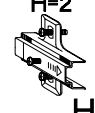



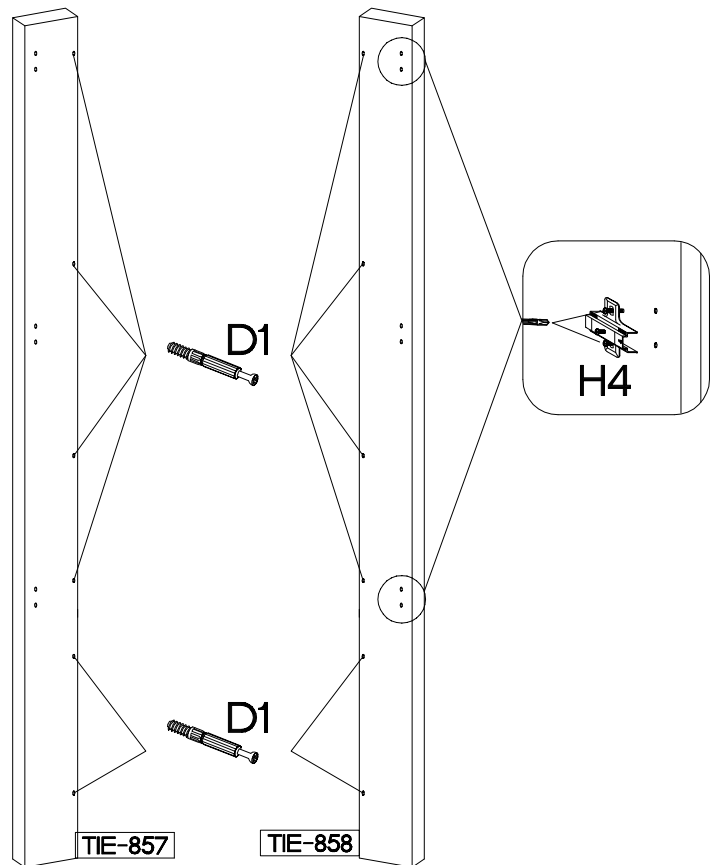
5

$\pm 15/12 \text{mm}$ 	
C 8	E 8


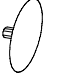


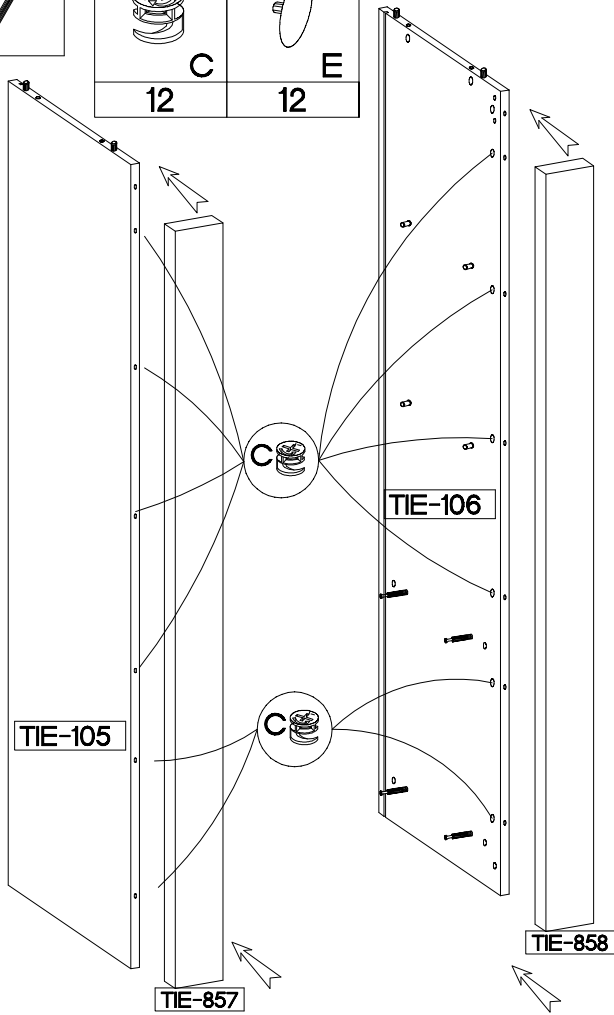
6

H-2 	
H4 2	D1 12




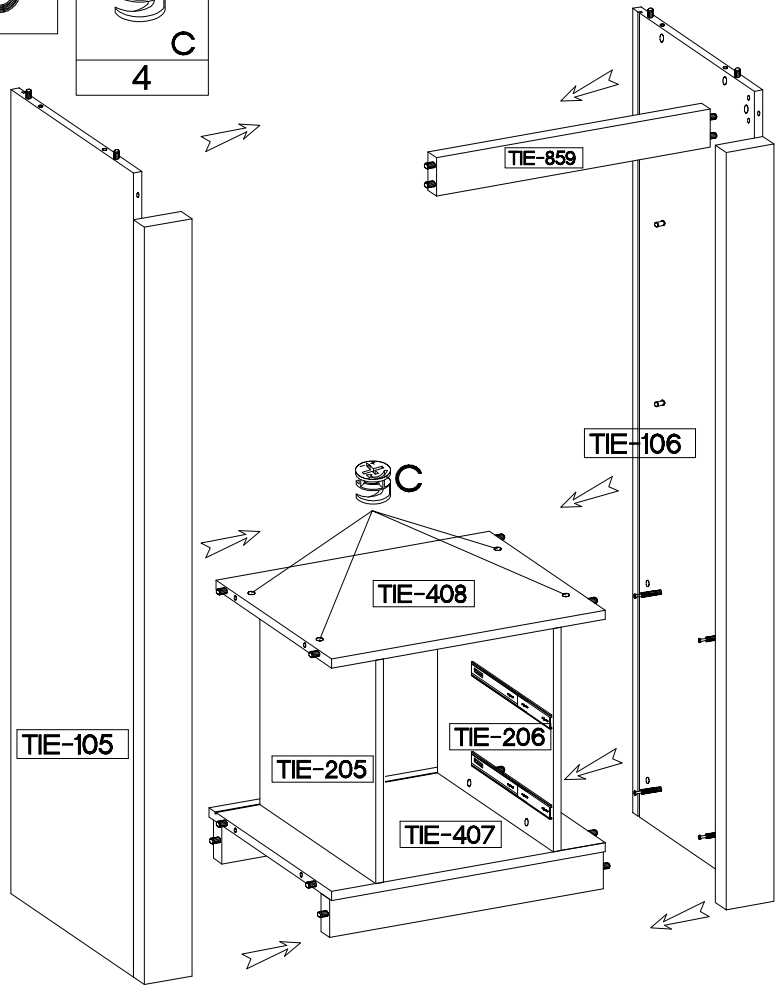
7

#15/12mm	
	
C	E
12	12






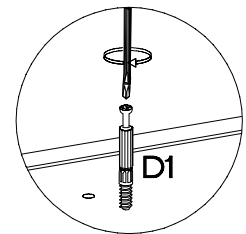
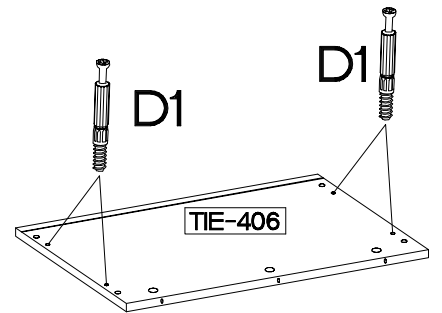
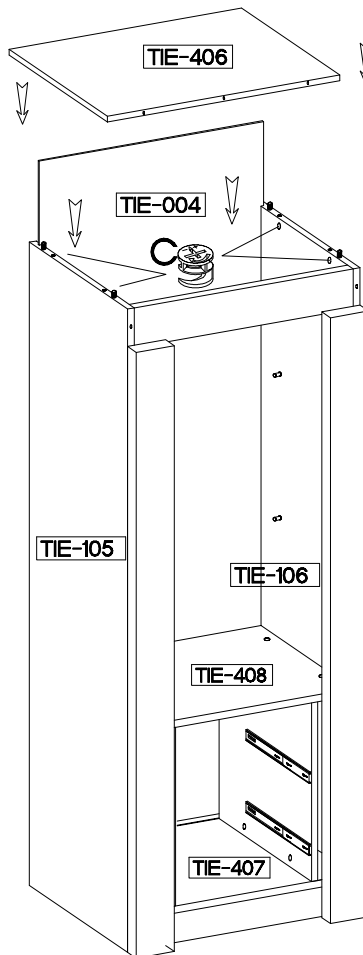
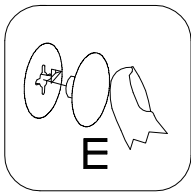
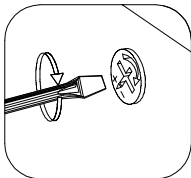
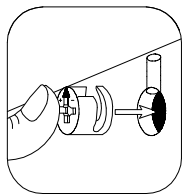
8

#15/12mm	
	
C	
4	




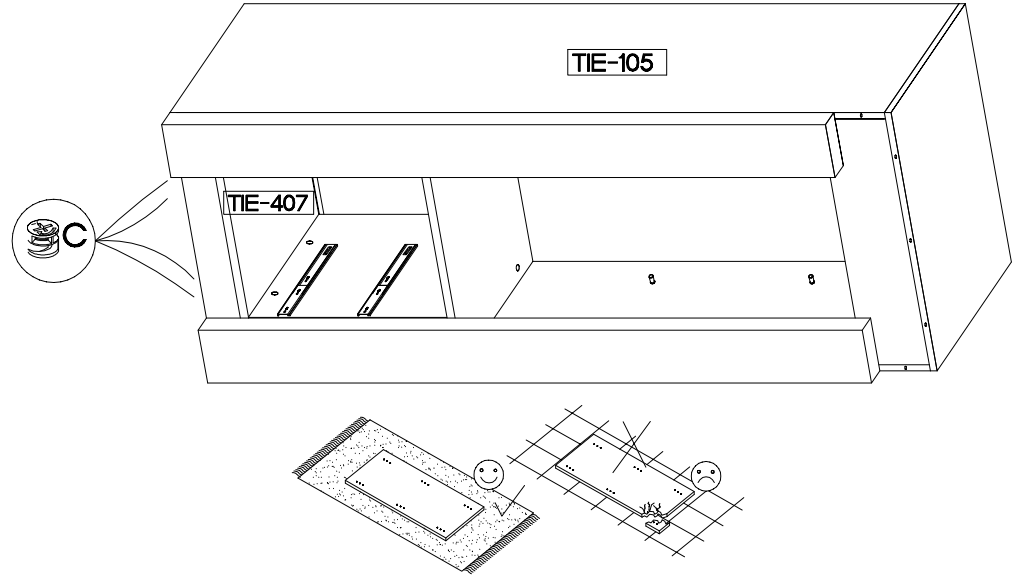
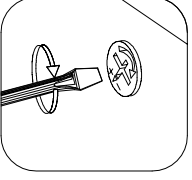
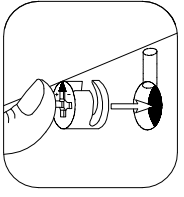
9

#15/12mm		
		
C	E	D1
4	4	4

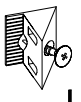



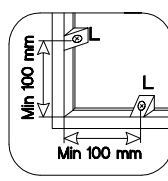
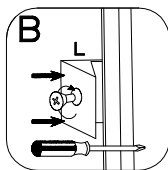
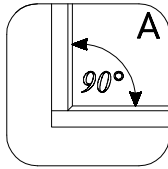
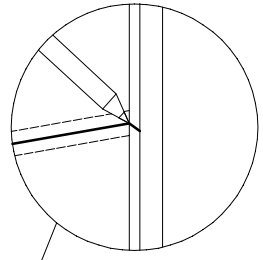
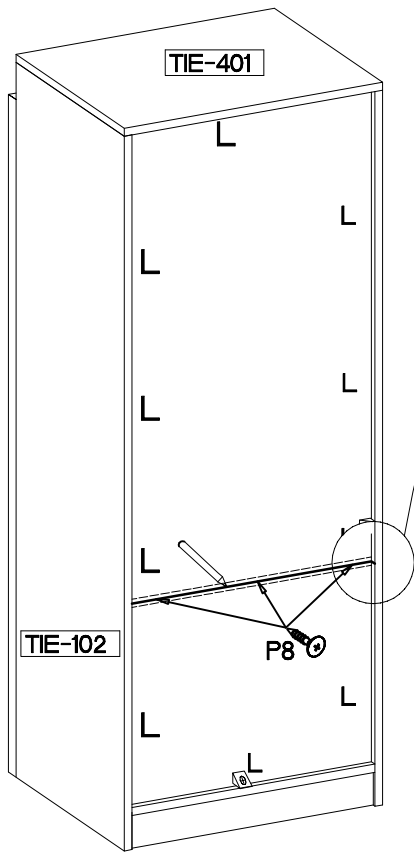
10

 #15/12mm C
4






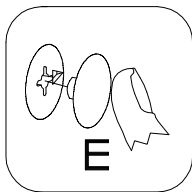
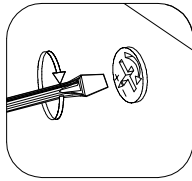
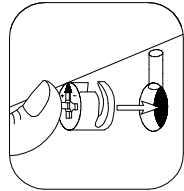
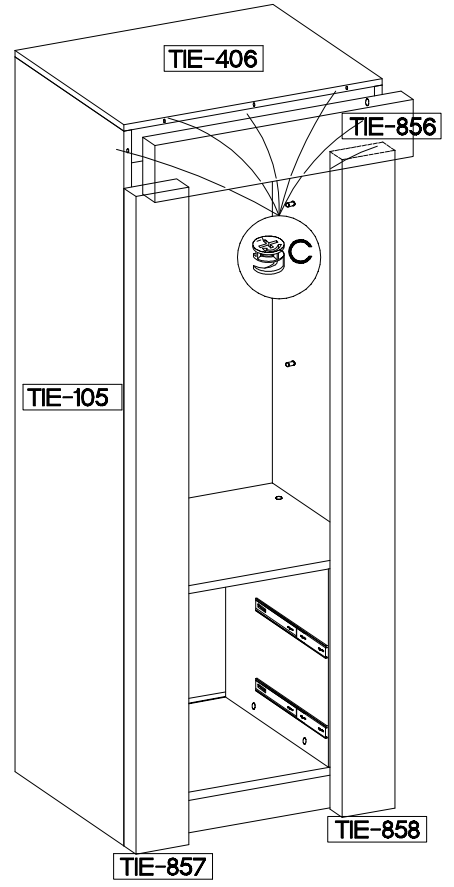
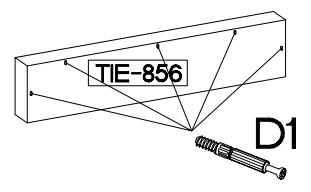
11

 L	 4.0x20mm P8
10	3




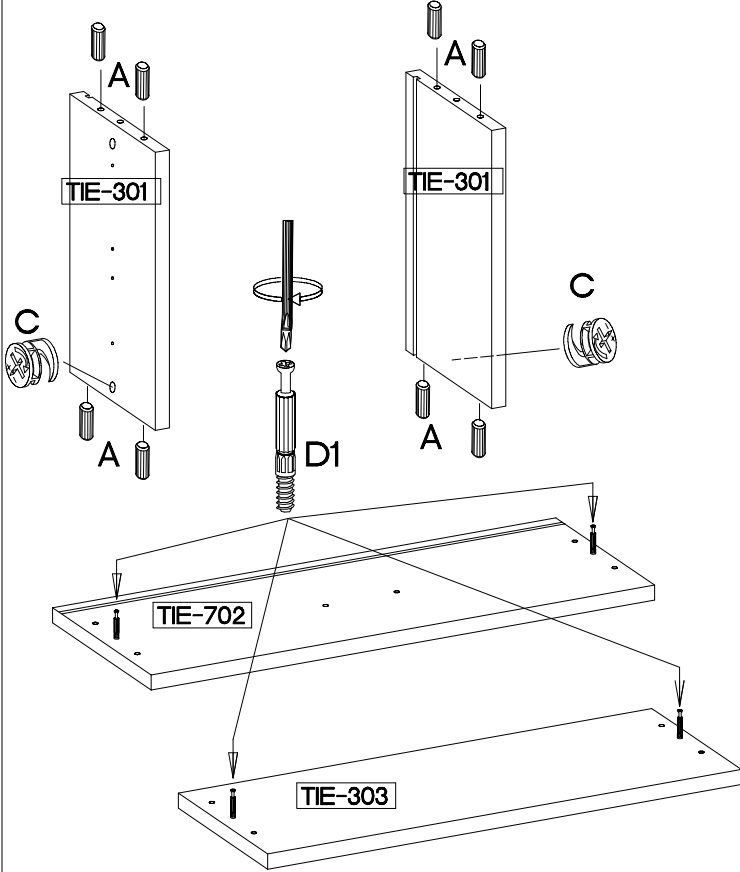
12

 D1	 E	 #15/12mm C
5	5	5




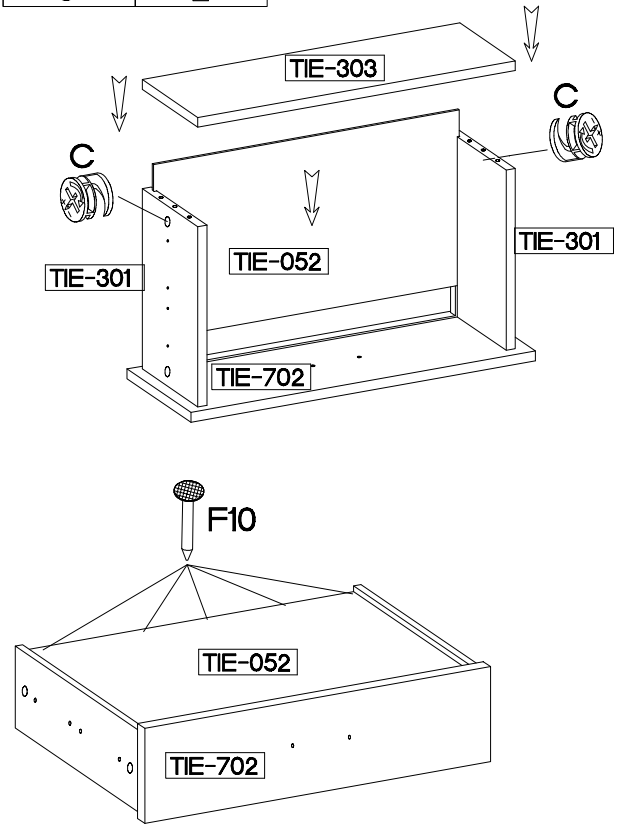
13

$\varnothing 8 \times 30 \text{mm}$	$\varnothing 15 / 12 \text{mm}$	
A	C	D1
8	2	4




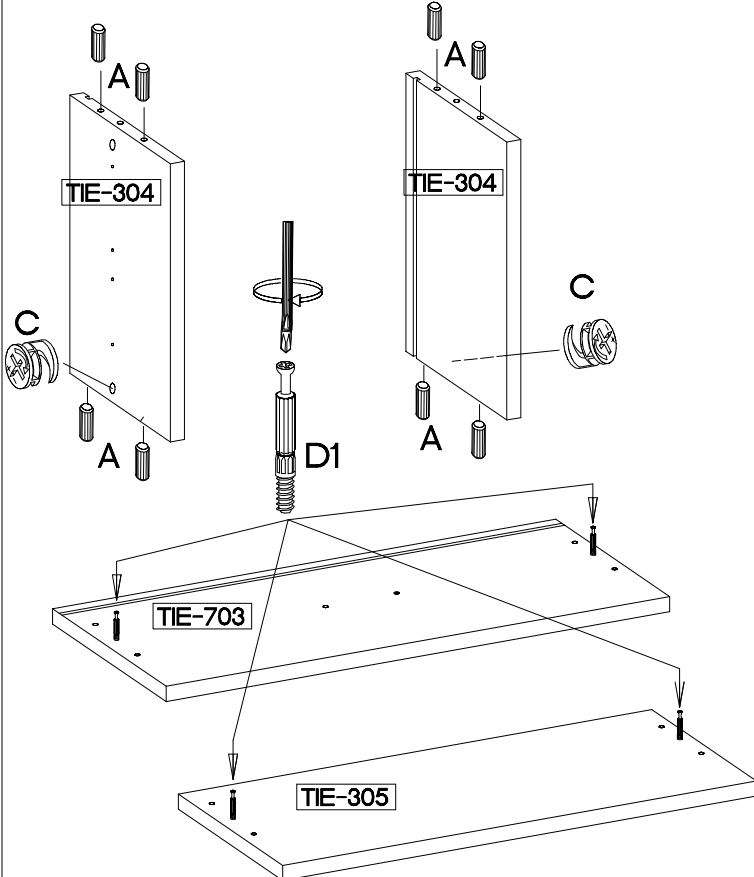
14

	$\varnothing 15 / 12 \text{mm}$
F10	C
5	2




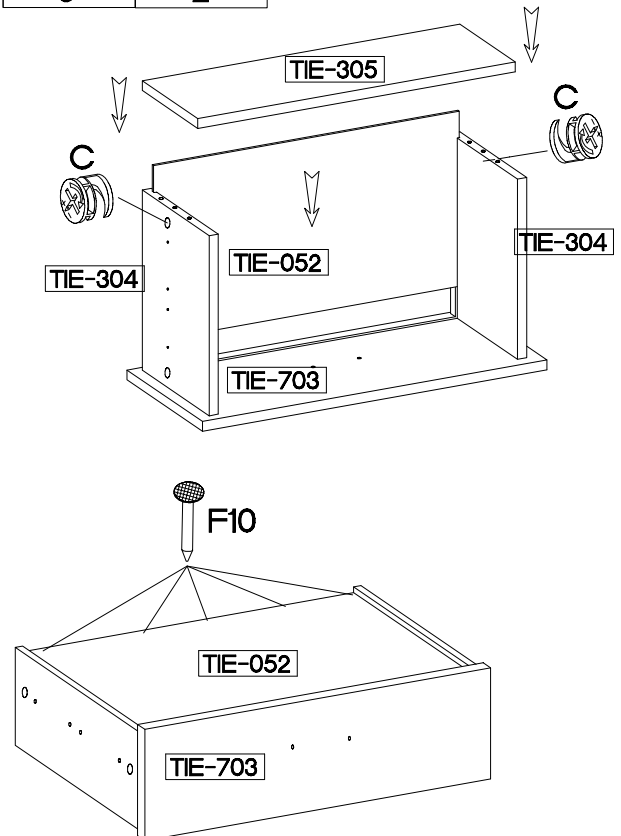
15

$\varnothing 8 \times 30 \text{mm}$	$\varnothing 15 / 12 \text{mm}$	
A	C	D1
8	2	4




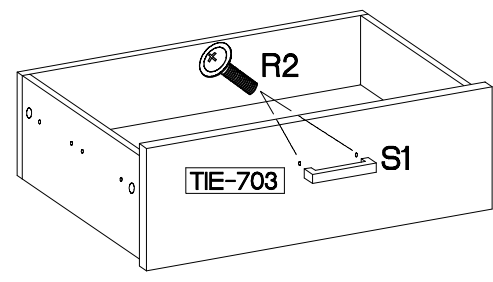
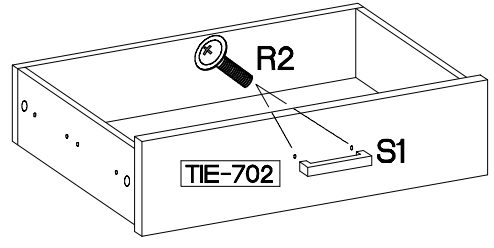
16

	$\varnothing 15 / 12 \text{mm}$
F10	C
5	2








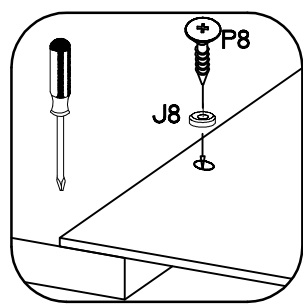
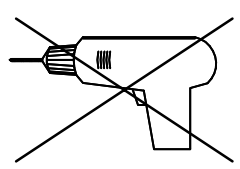
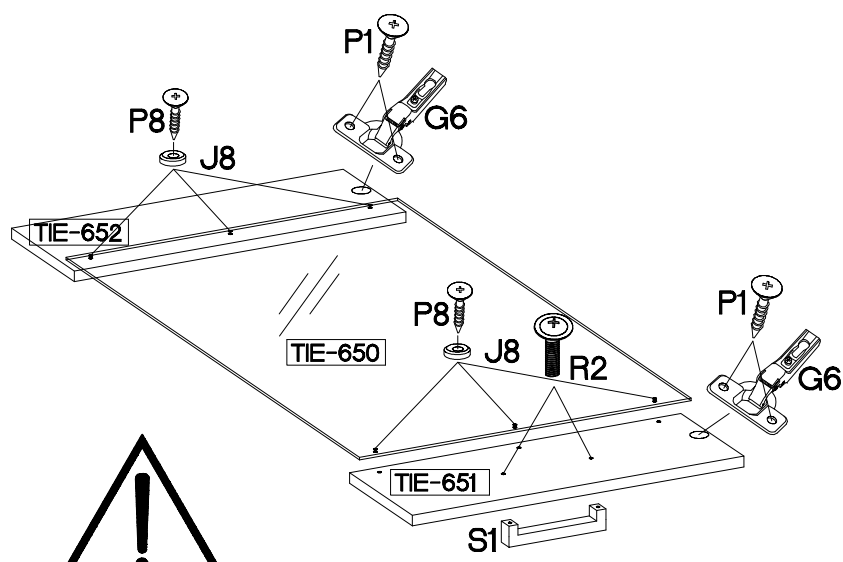
17

	M4.0x20mm
S1	R2
2	4



18

4.0x20mm		
P8	J8	S1
6	6	1
M4.0x20mm	+35/90°	+4.0x16mm
		
R2	G6	P1
2	2	4



19

