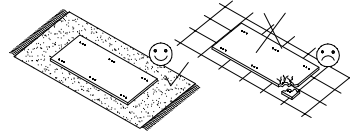
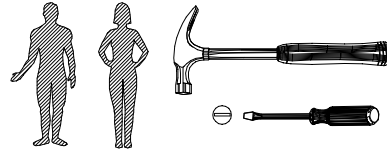
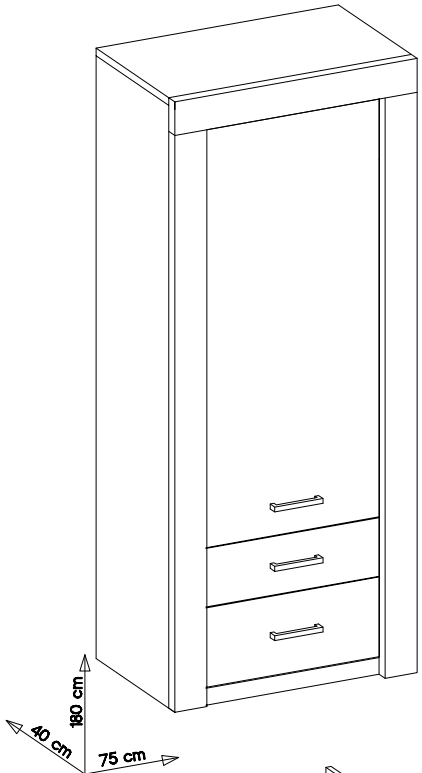
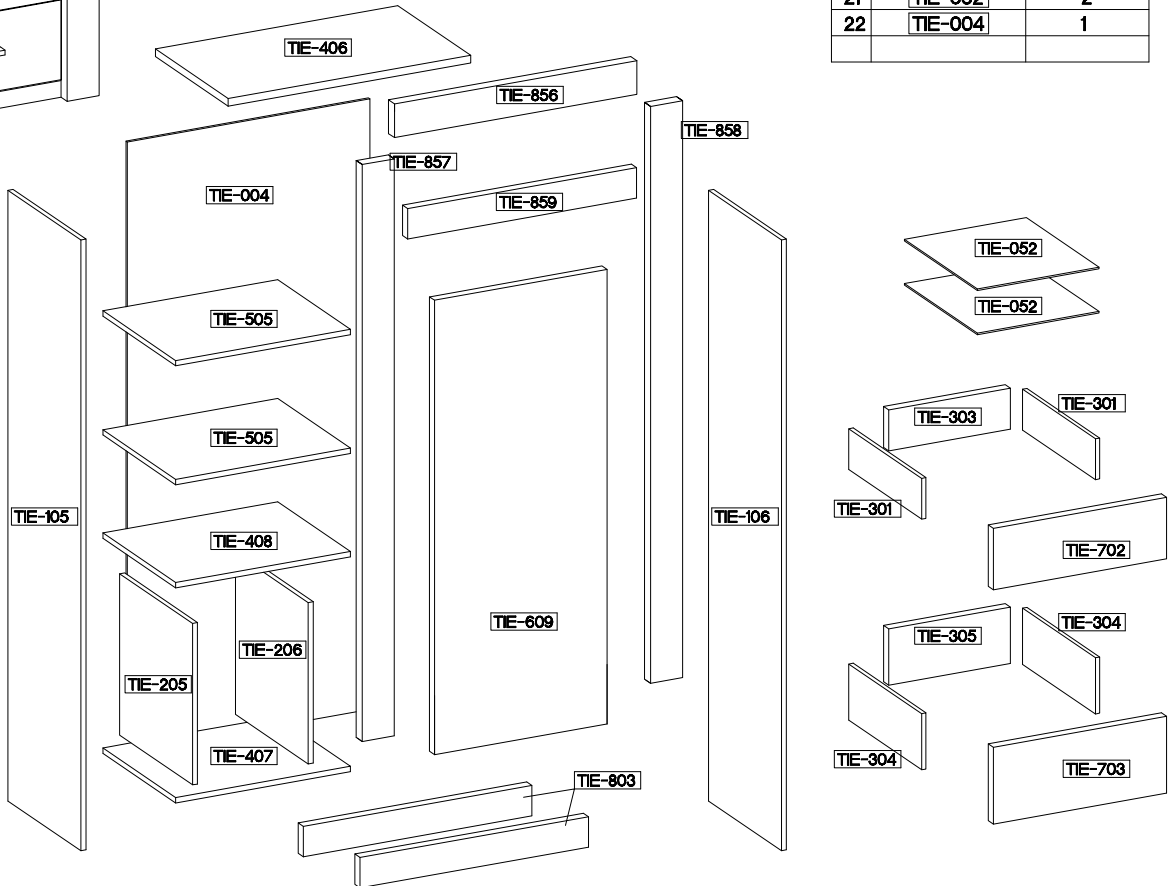


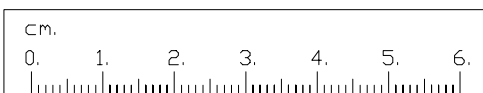
# TIENEN-11





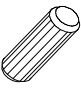
#	ART. NR	QUANTITY
1	TIE-406	1
2	TIE-407	1
3	TIE-408	1
4	TIE-105	1
5	TIE-106	1
6	TIE-205	1
7	TIE-206	1
8	TIE-505	2
9	TIE-609	1
10	TIE-803	2
11	TIE-856	1
12	TIE-857	1
13	TIE-858	1
14	TIE-859	1
15	TIE-702	1
16	TIE-703	1
17	TIE-301	2
18	TIE-303	1
19	TIE-304	2
20	TIE-305	1
21	TIE-052	2
22	TIE-004	1

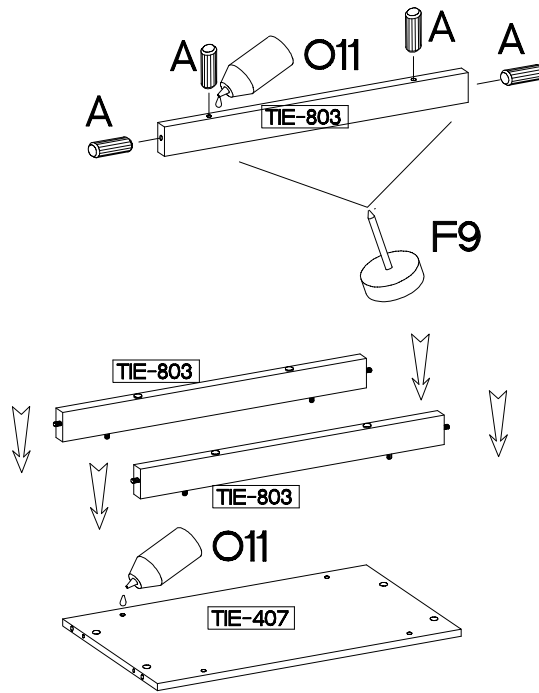


D1 45	+15/12mm C 45	E 45	+8x30mm A 48	J4 8	H-2 H4 3	+35/90° G6 3	L 10	+4.0x16mm P1 6	S1 3	M4.0x20mm R2 6
F9 8	O11 1	I4 4	F10 10	4.0x20mm P8 3						

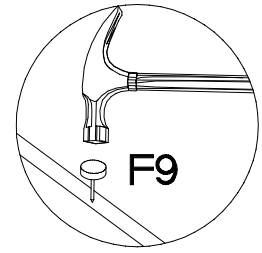


1


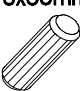
 O11	 F9
1	4
†8x30mm	
 A	
8	

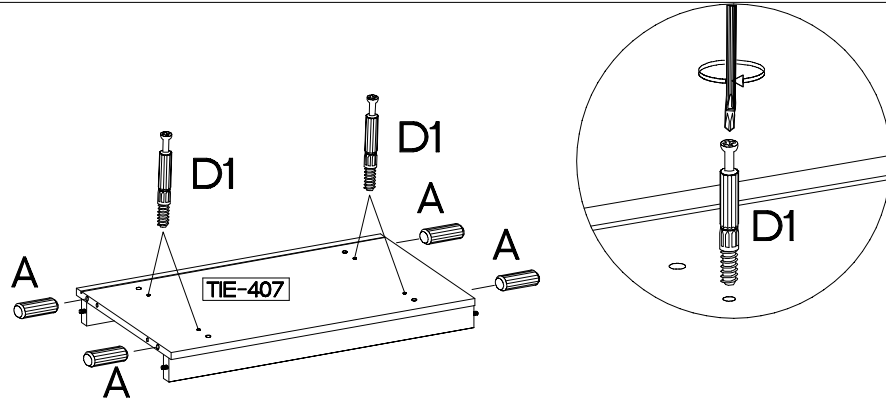


X2


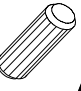




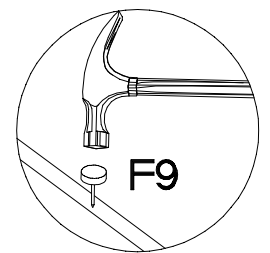
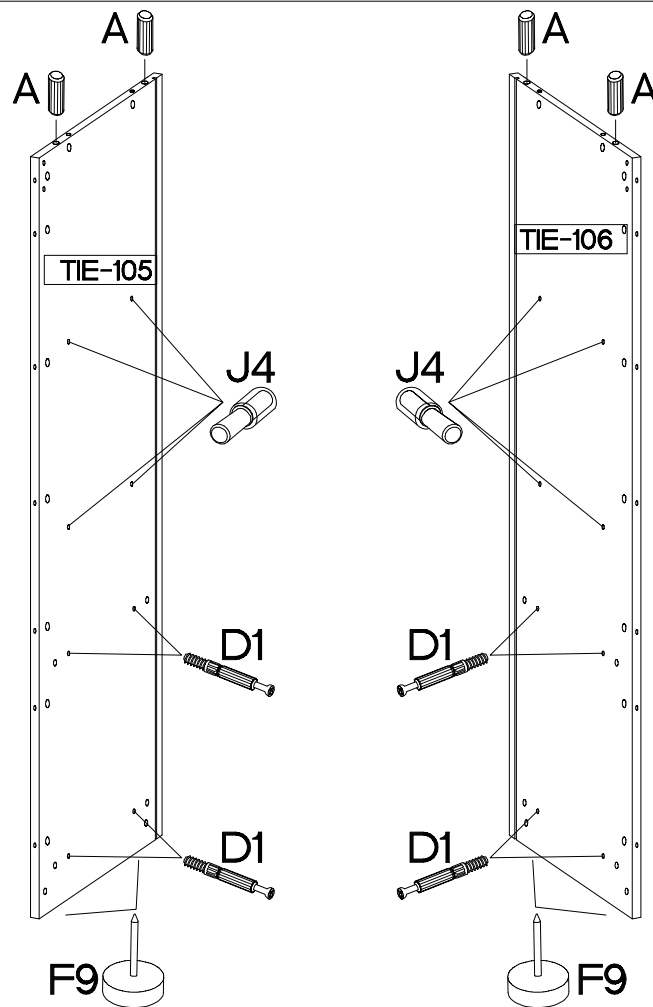
2

 D1	†8x30mm
4	 A
	4

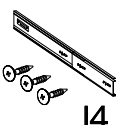




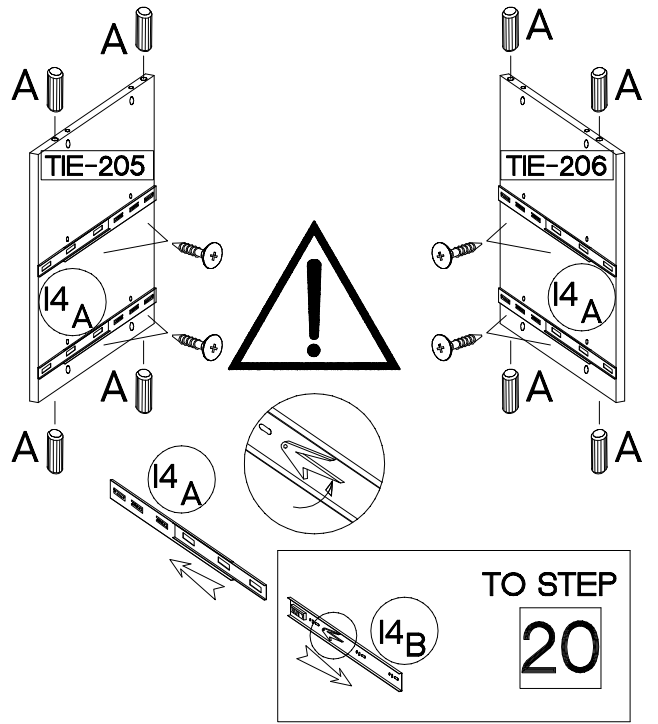
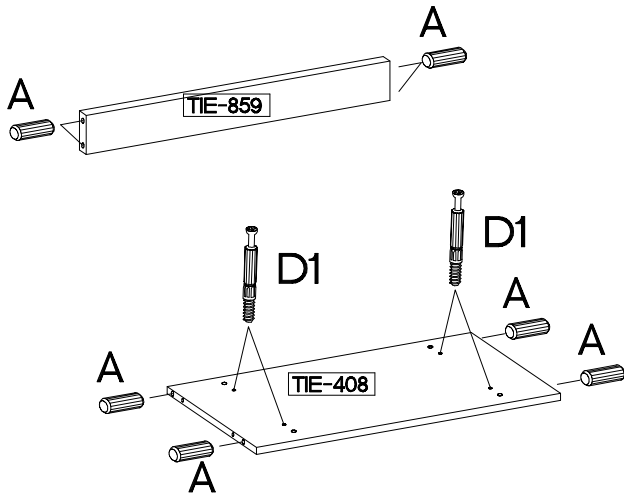
3

†8x30mm	 D1
 A	8
4	
 J4	 F9
8	4





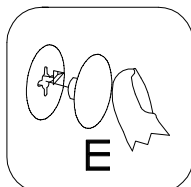
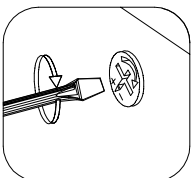
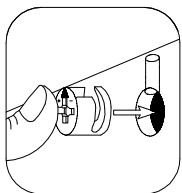
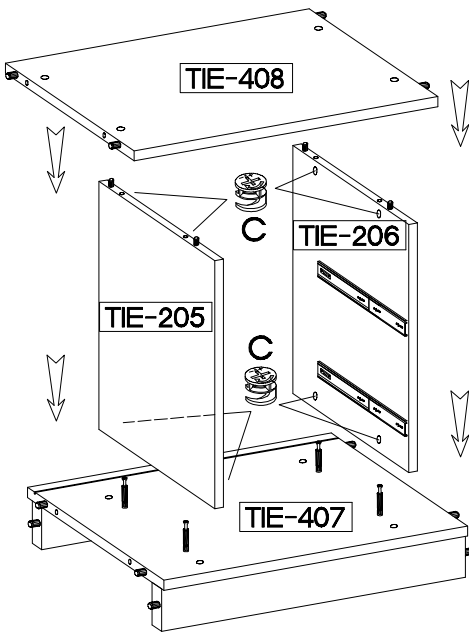
4

	$\pm 8 \times 30 \text{mm}$ 	
I4	A	D1
4 KPL	16	4

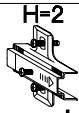



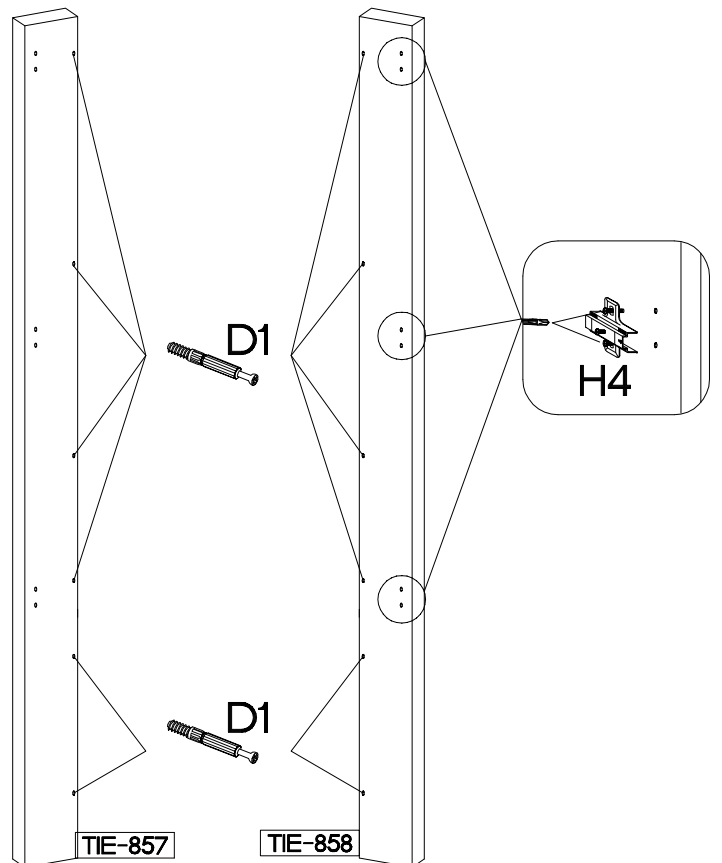
5

$\pm 15/12 \text{mm}$ 	
C	E
8	8





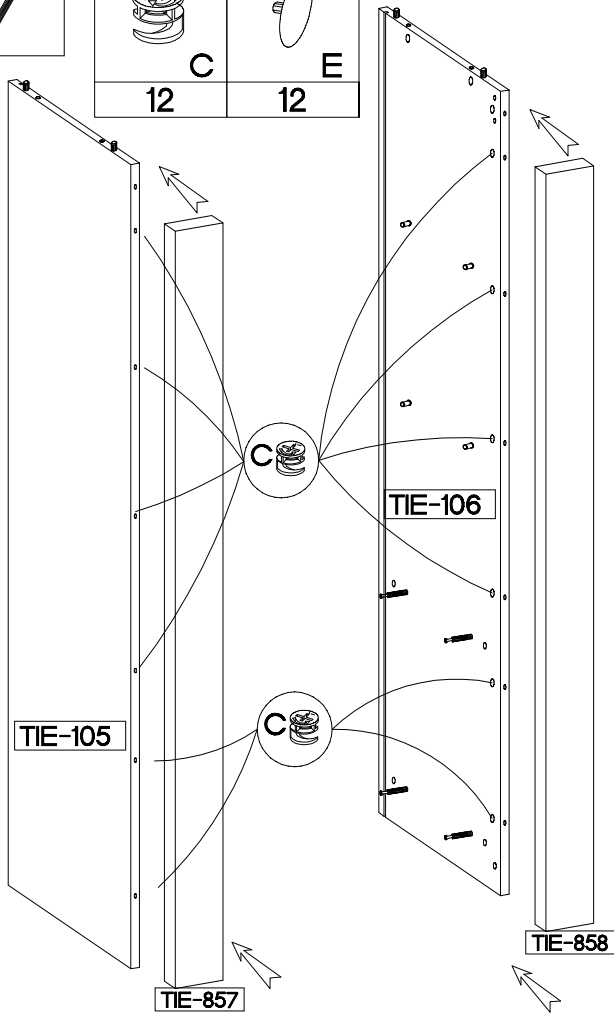
6

	
H-2 H4	D1
3	12




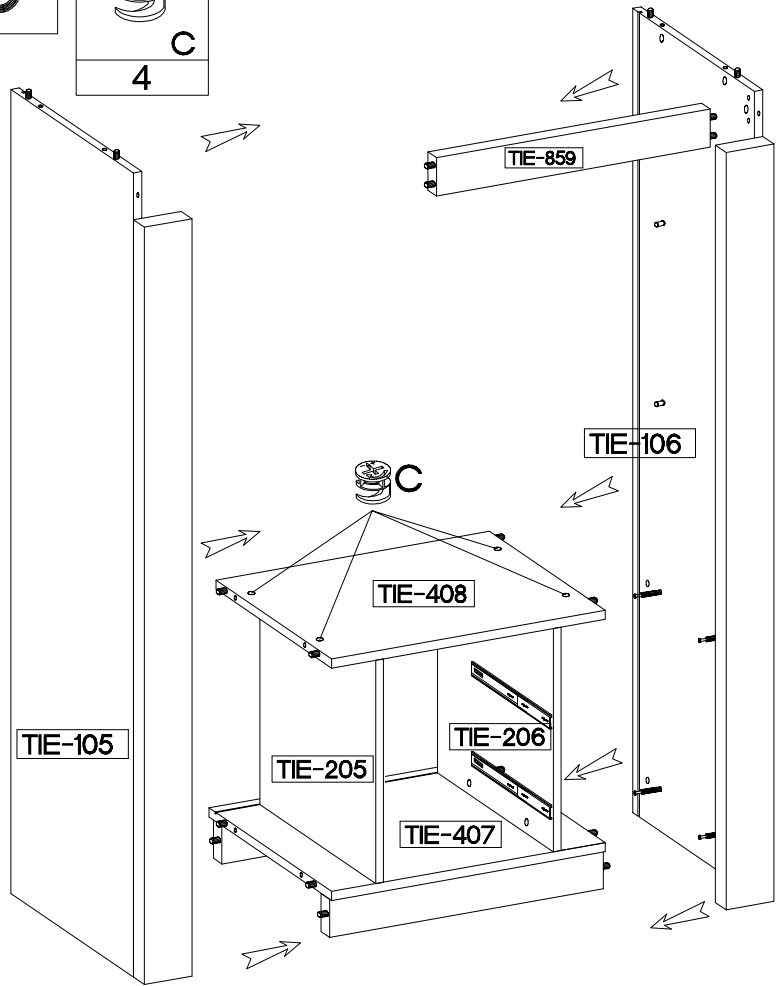
# 7

#15/12mm	
	
C	E
12	12






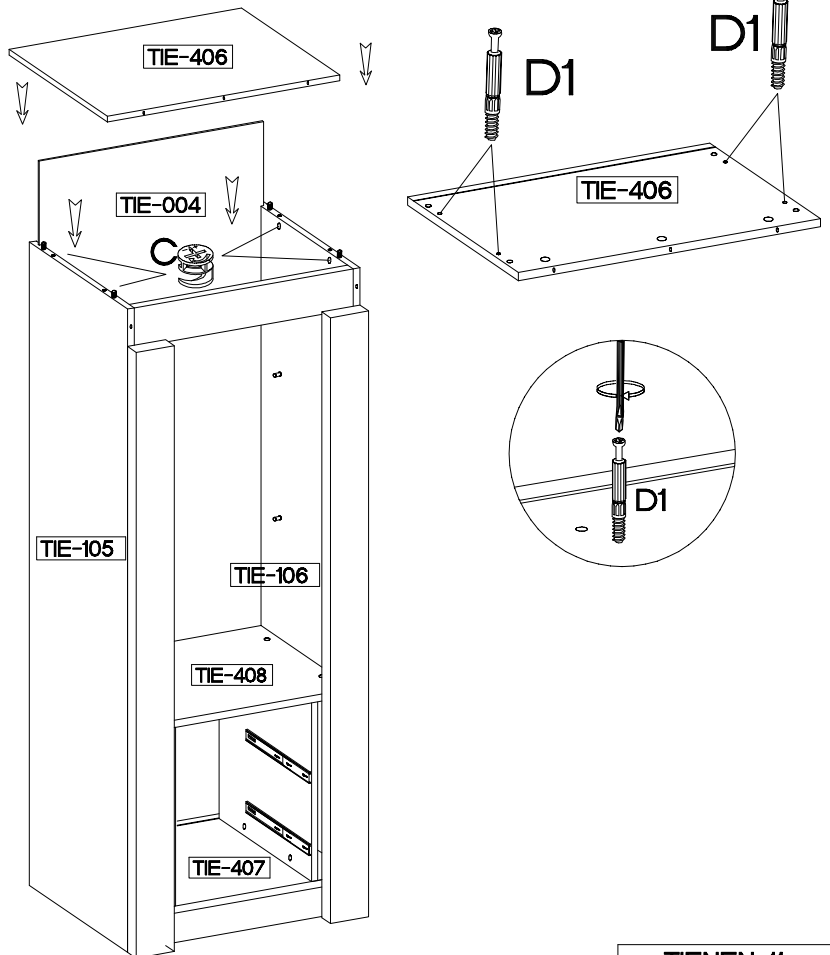
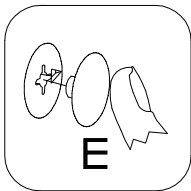
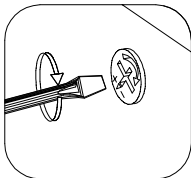
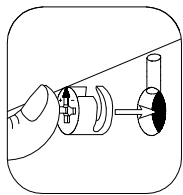
# 8

#15/12mm	
	
C	
4	




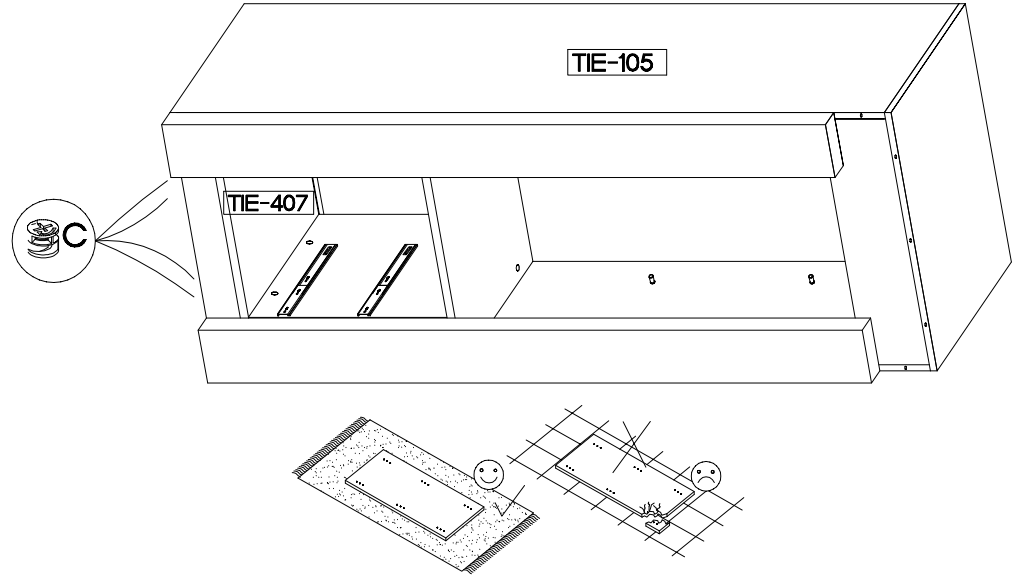
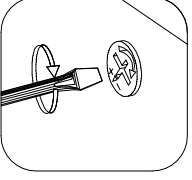
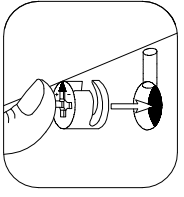
# 9

#15/12mm		
		
C	E	D1
4	4	4

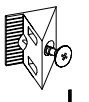



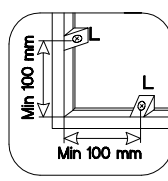
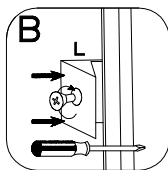
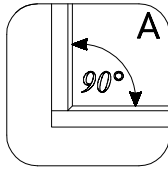
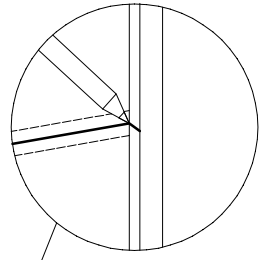
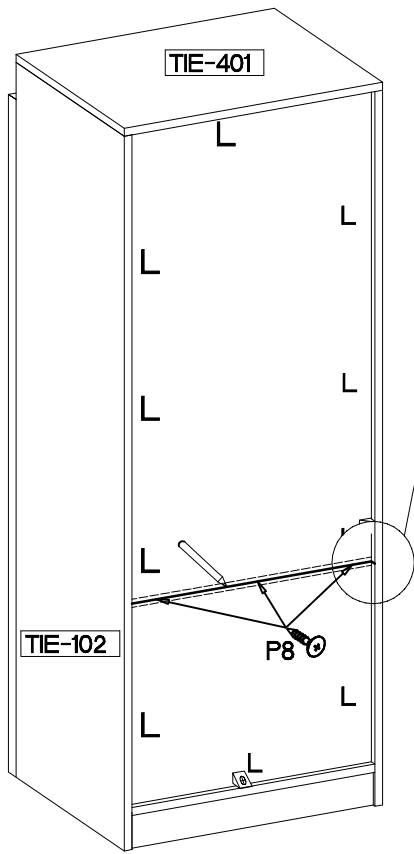
# 10

 #15/12mm C 4
--






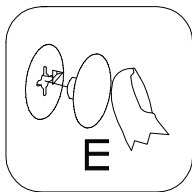
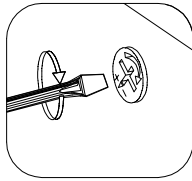
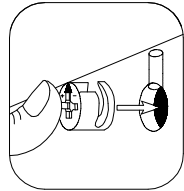
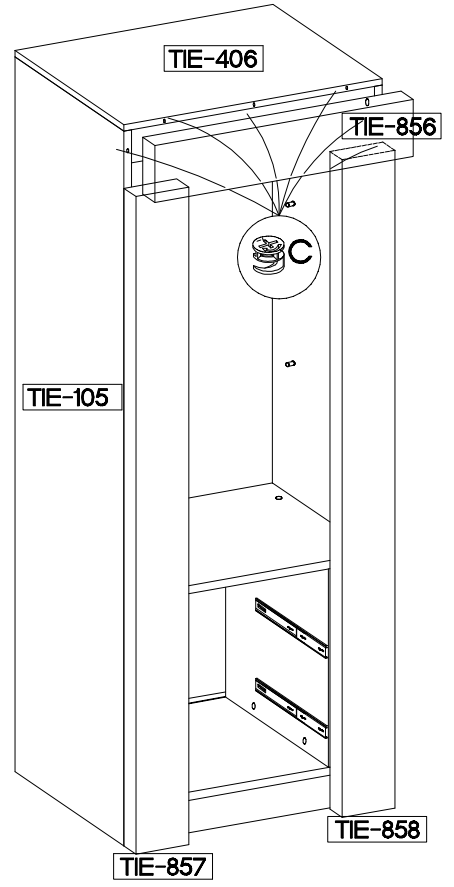
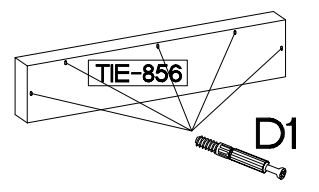
# 11

 L 10	4.0x20mm  P8 3
--	--



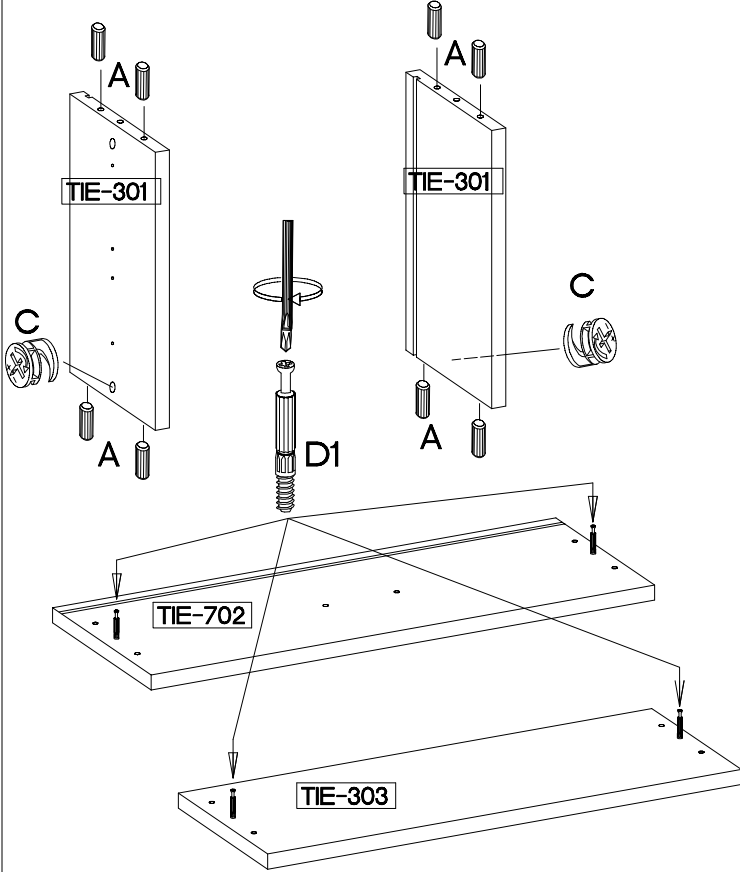
# 12

 D1 5	 E 5	 #15/12mm C 5
--	---	---



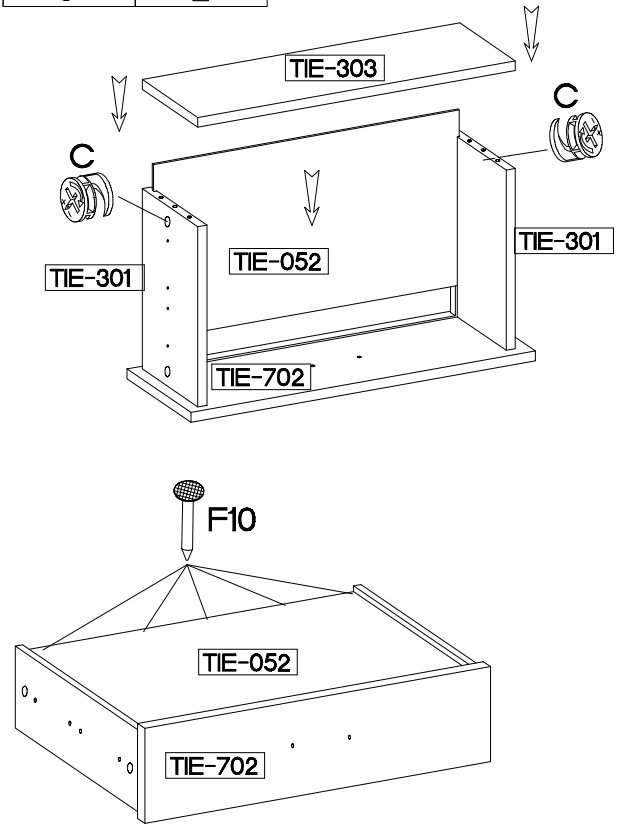
# 13

$\varnothing 8 \times 30 \text{mm}$	$\varnothing 15 / 12 \text{mm}$	
A	C	D1
8	2	4



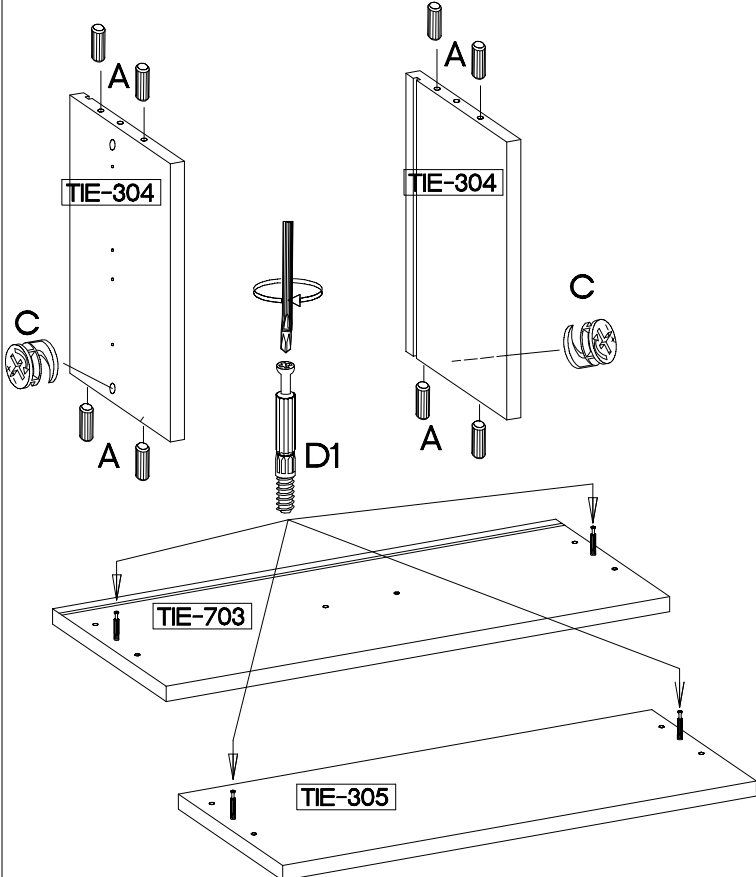
# 14

	$\varnothing 15 / 12 \text{mm}$
F10	C
5	2



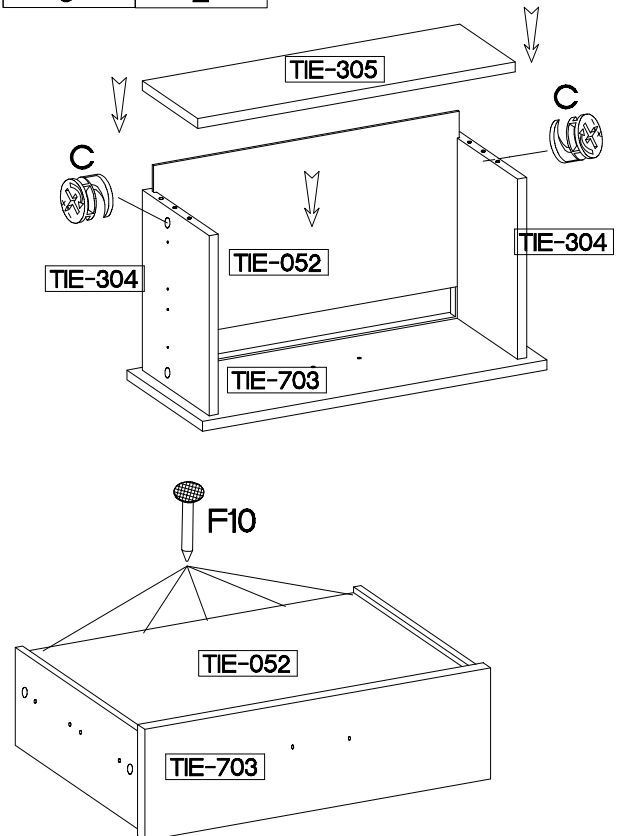
# 15

$\varnothing 8 \times 30 \text{mm}$	$\varnothing 15 / 12 \text{mm}$	
A	C	D1
8	2	4





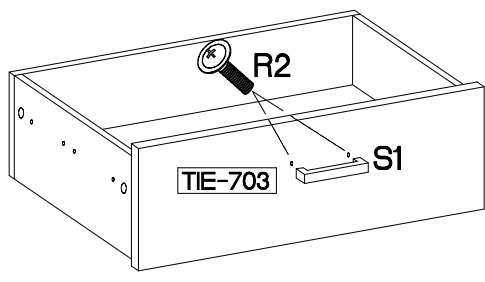
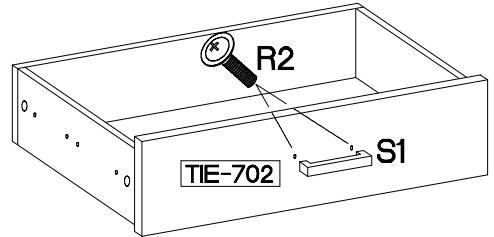
# 16

	$\varnothing 15 / 12 \text{mm}$
F10	C
5	2







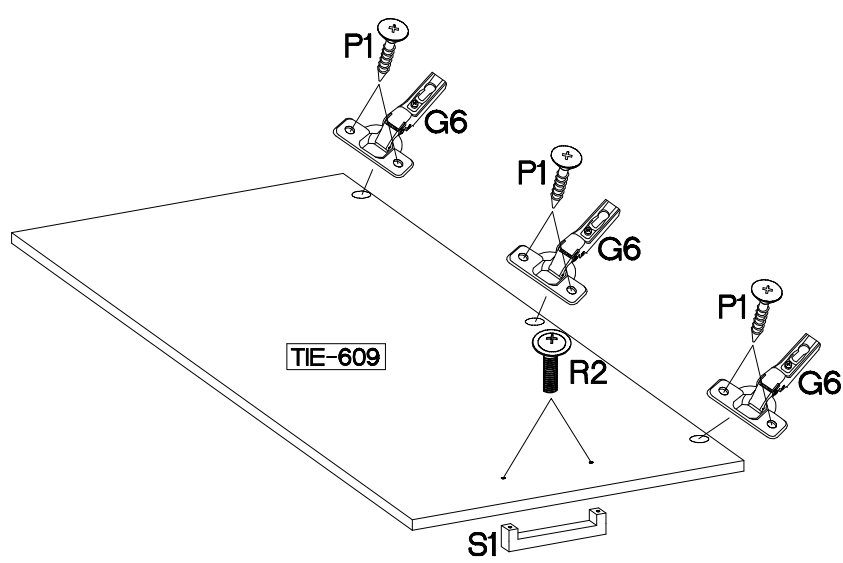
17

M4.0x20mm	
	
S1	R2
2	4

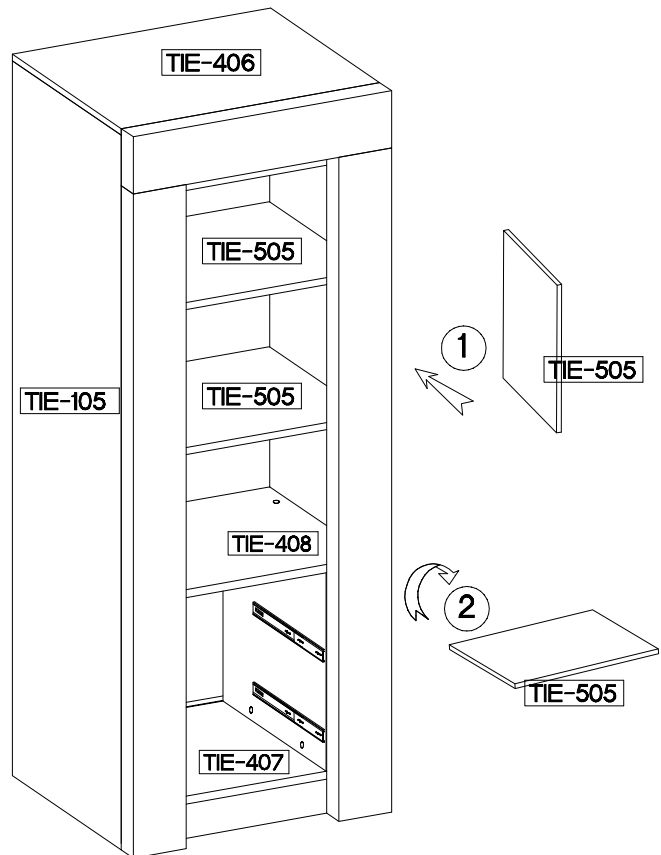


18

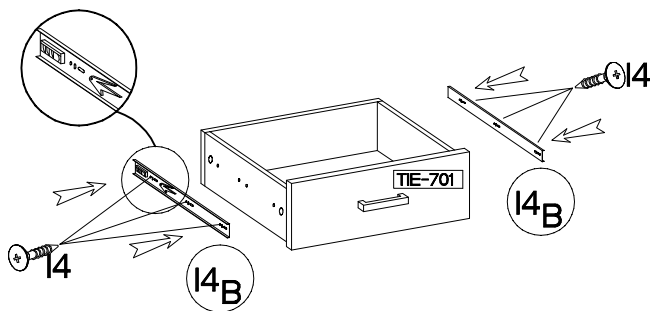
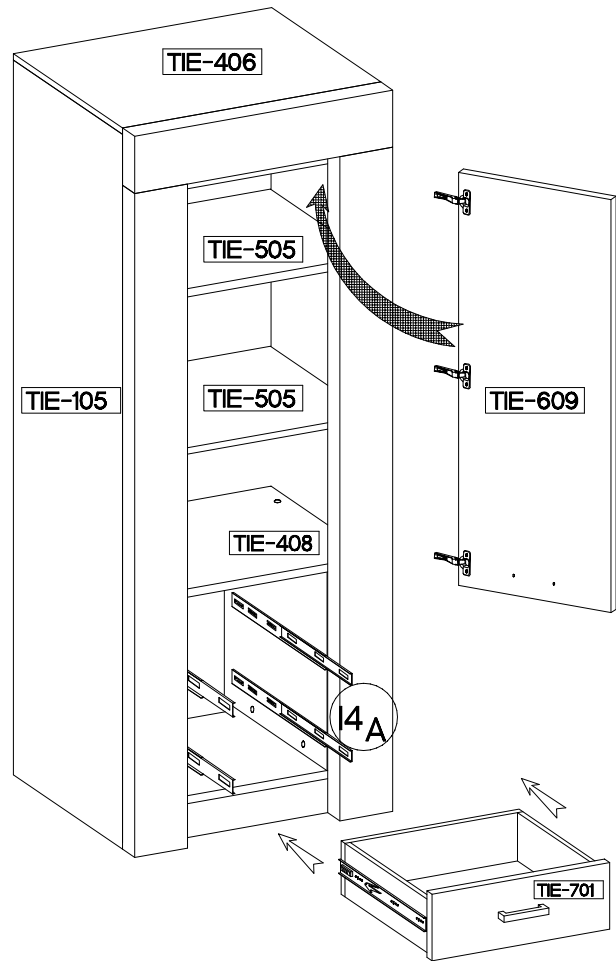
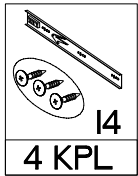
M4.0x20mm	†35/90°	†4.0x16mm	
			S1
R2	G6	P1	
2	3	6	1



19



20



21

