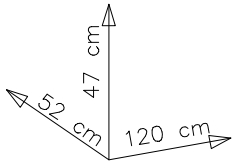
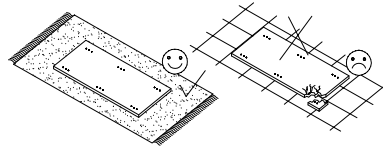
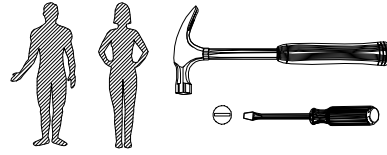
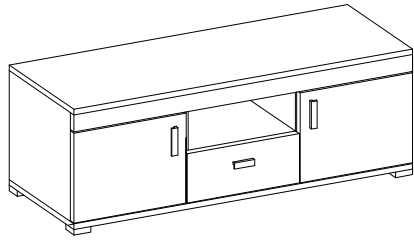
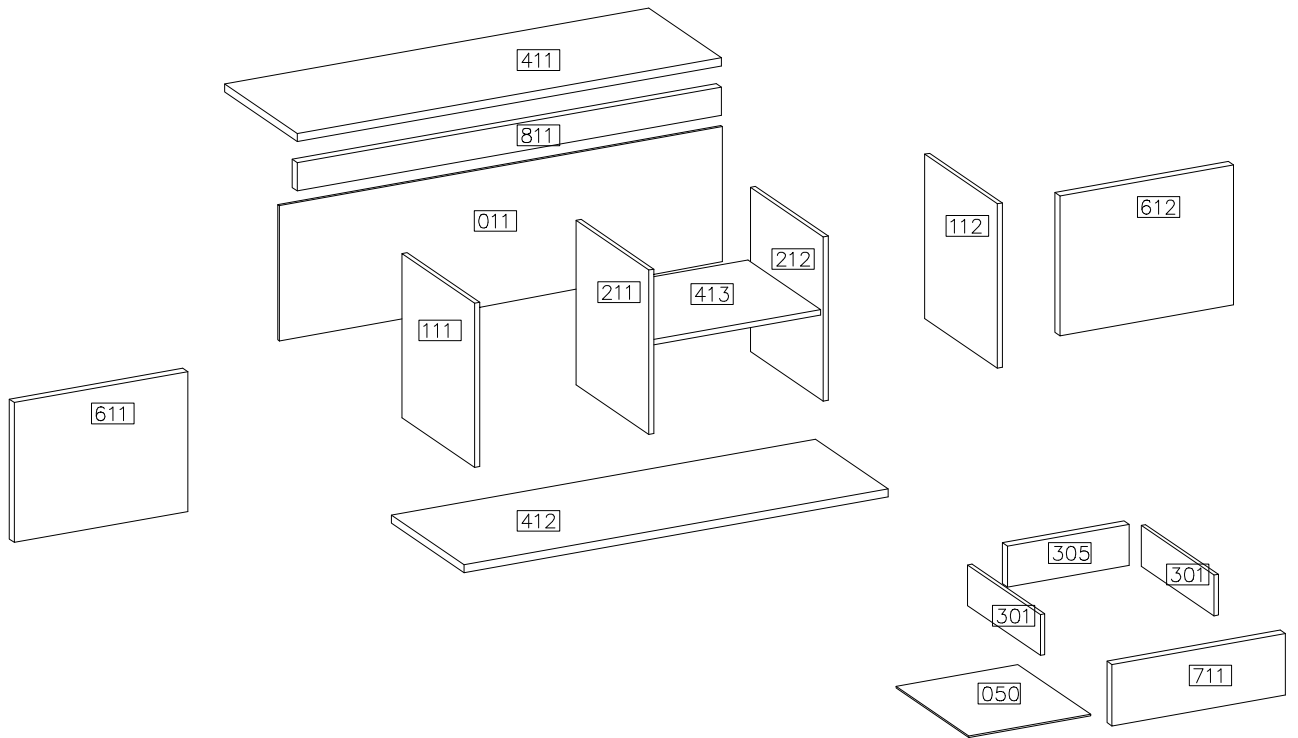


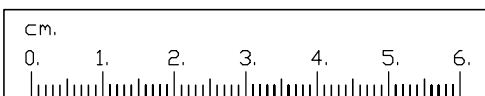
# NELLY-DOŁEK RTV




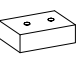
#	ART. NR	QUANTITY
1	411	1
2	412	1
3	413	1
4	111	1
5	112	1
6	211	1
7	212	1
8	611	1
9	612	1
10	011	1
11	711	1
12	301	2
13	305	1
14	050	1
15	811	1

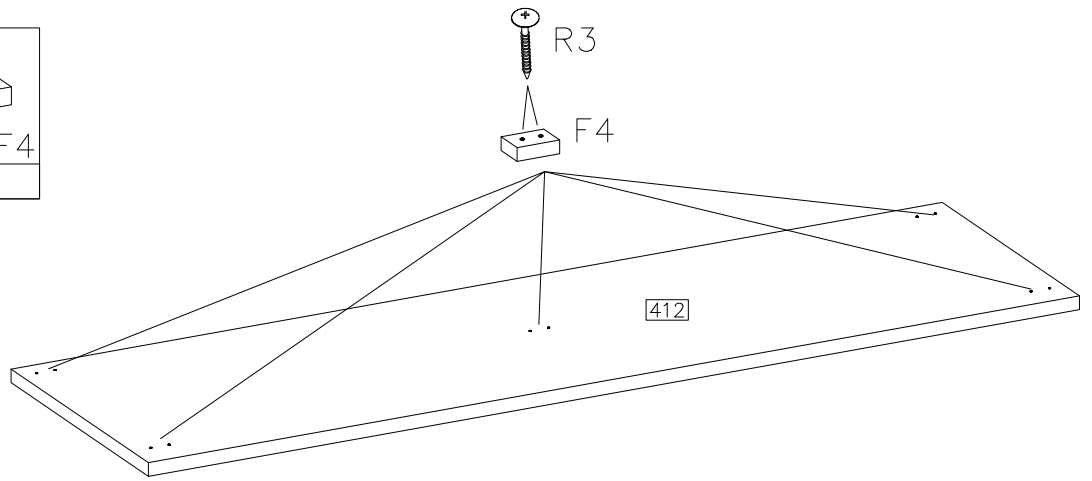


	ø15/12mm 		ø8x30mm 	H=0 	ø35/KR-0 	3.5x13mm 	ø4.0x16mm 		4.0x27mm 
20	20	20	42	4	4	4	12	3	6
	4.0x35mm 		L-350 						
30	10	5	1KPL	1					




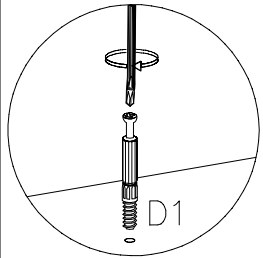
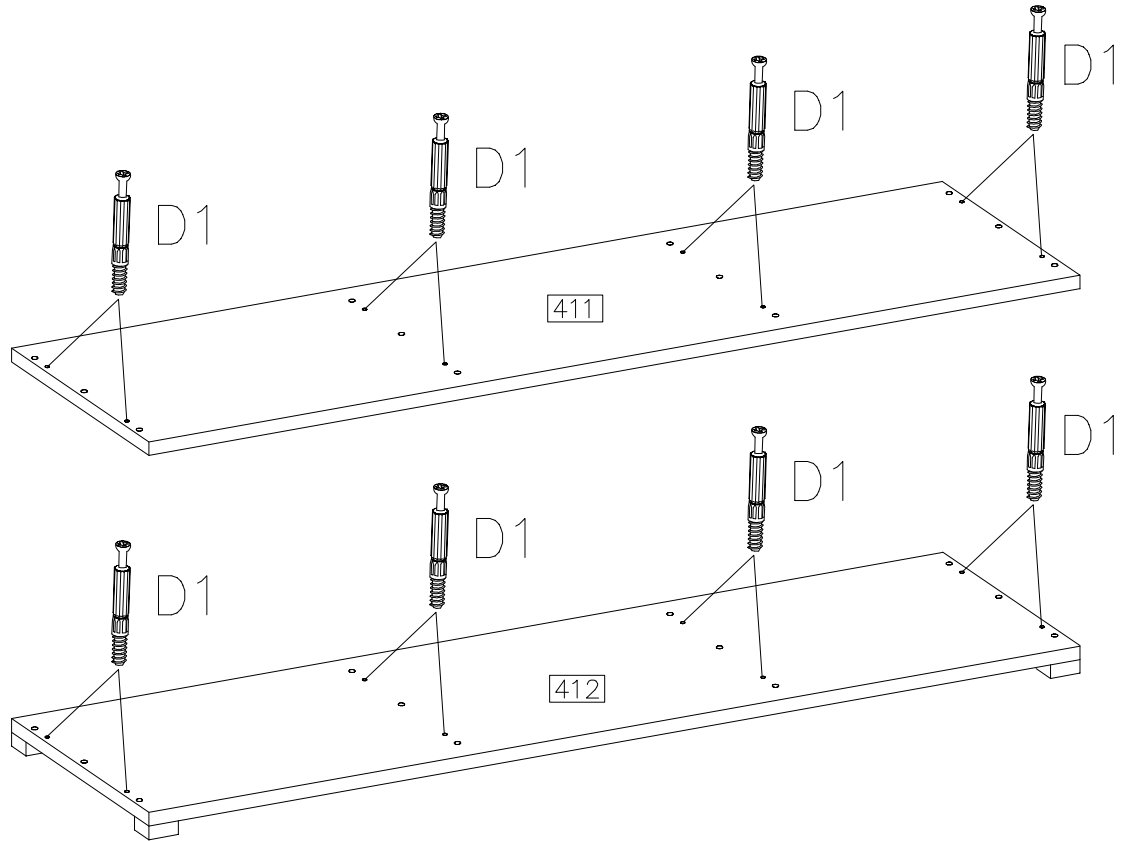
1

4.0x35mm		
	R3	F4
	10	5

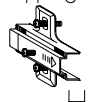
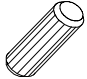



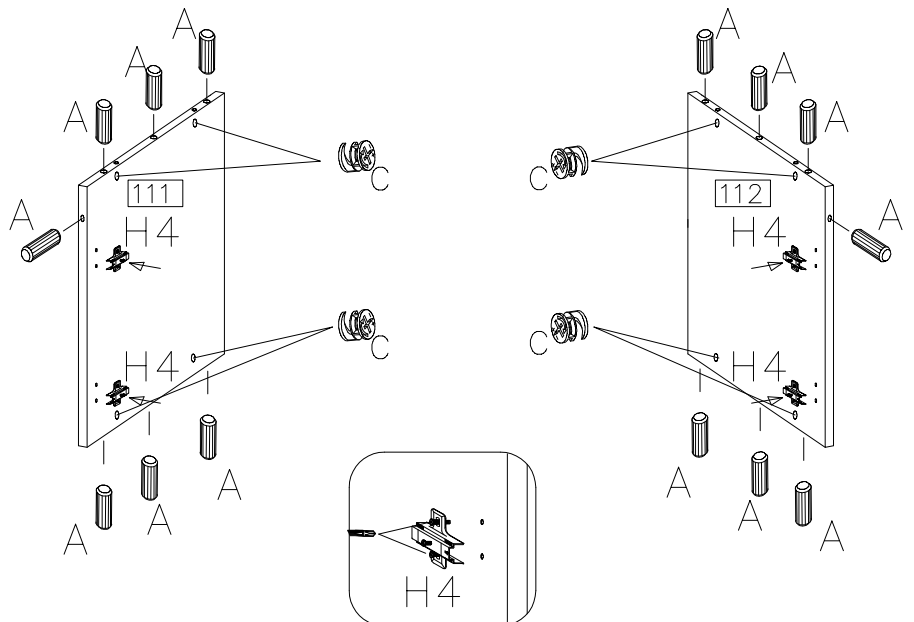
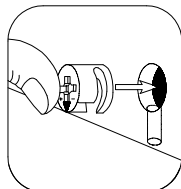
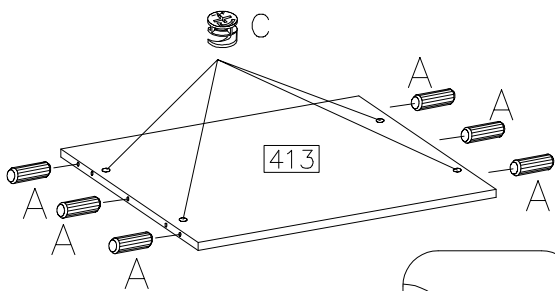
2

	D1
	16



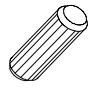


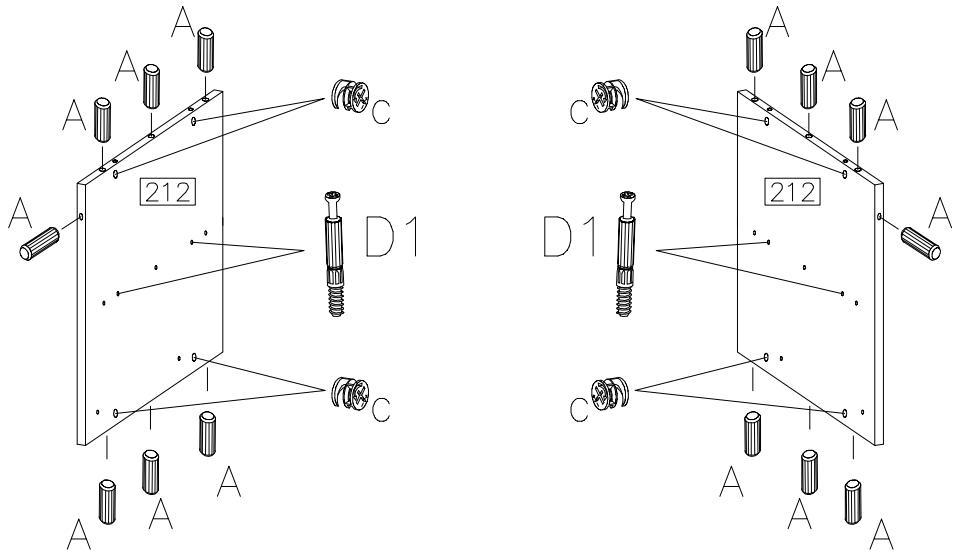
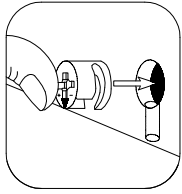
3

H=0 	$\phi 8 \times 30 \text{mm}$ 	$\phi 15 / 12 \text{mm}$ 
H4	A	C
4	20	12

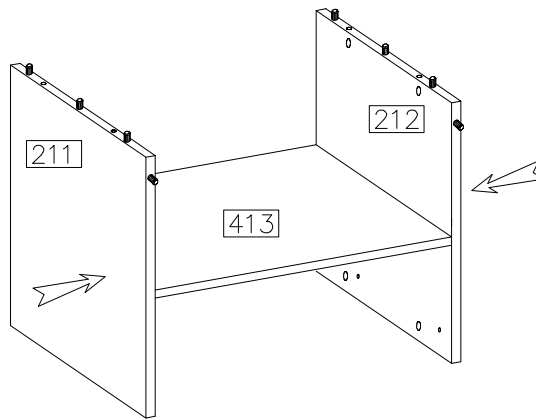
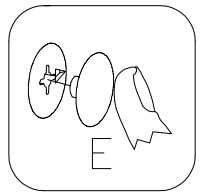
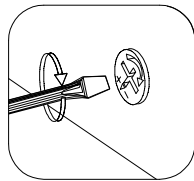
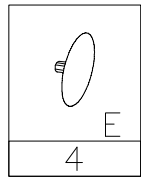


4

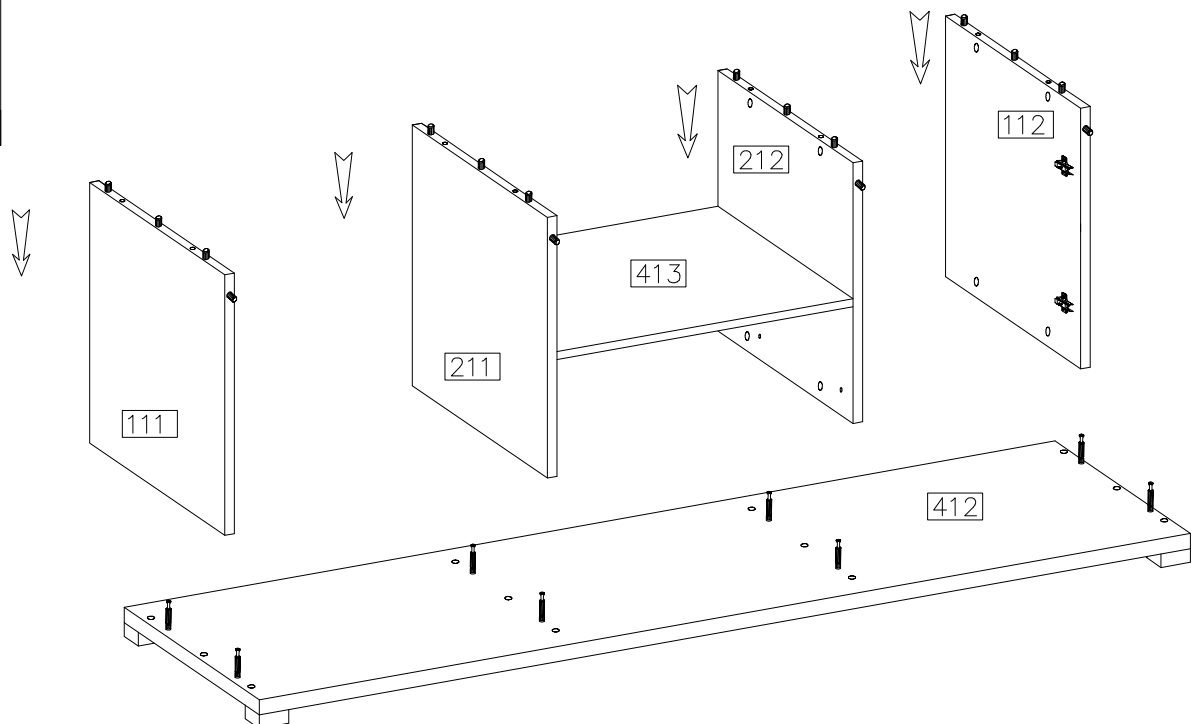
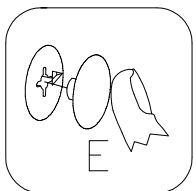
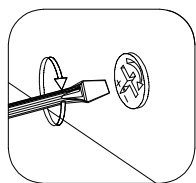
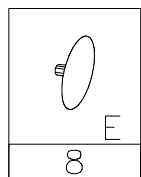
	$\varnothing 15/12\text{mm}$ 	$\varnothing 8 \times 30\text{mm}$ 
D1 4	C 8	A 14




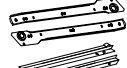

5

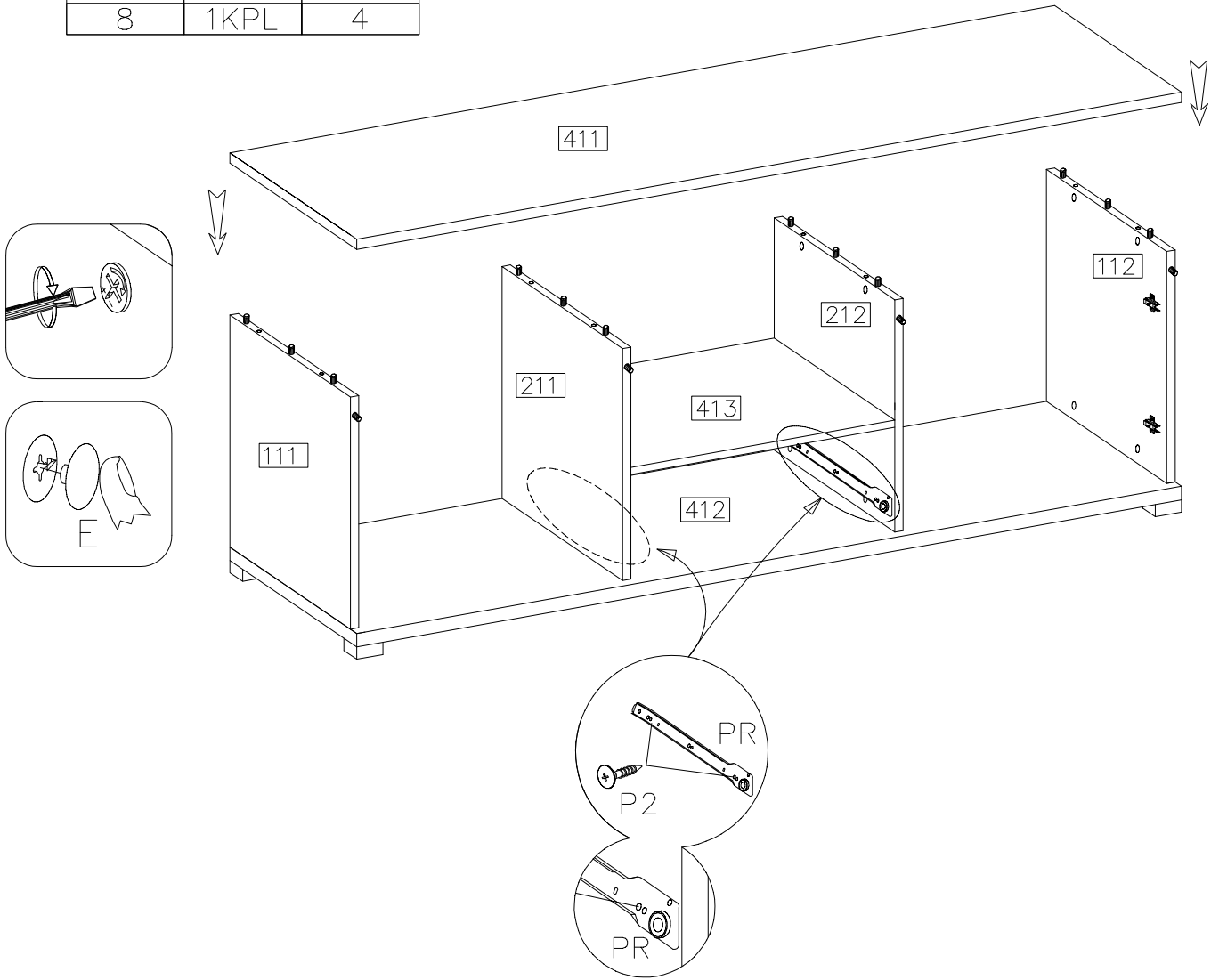


6




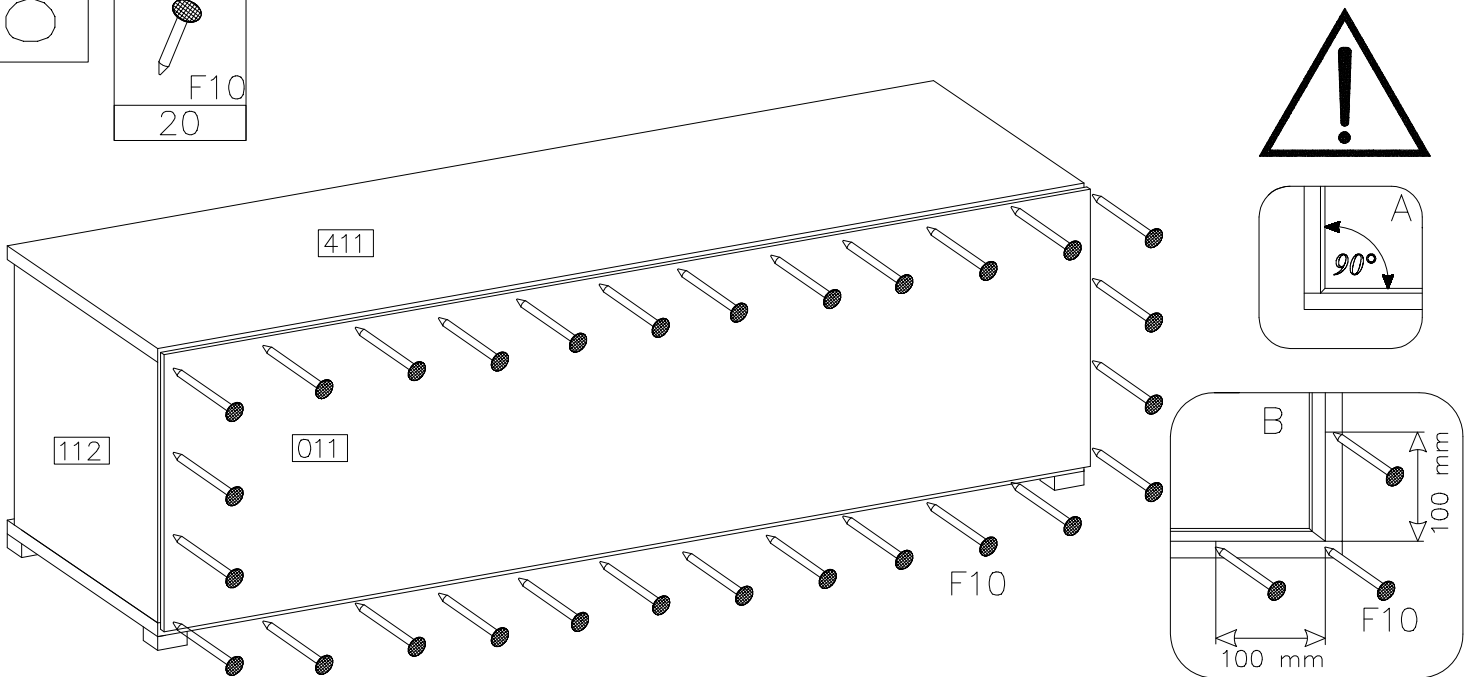
7

	L-350 	3.5x13mm 
E	PR	P2
8	1KPL	4

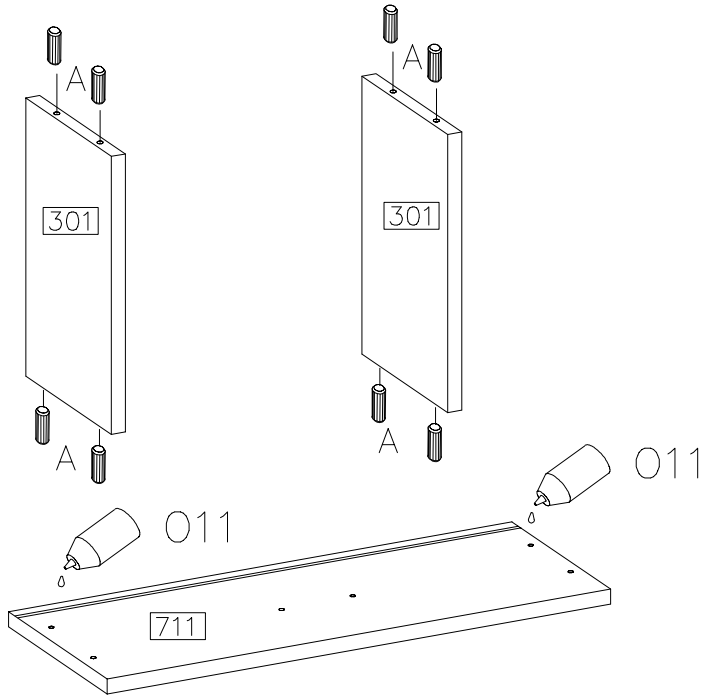
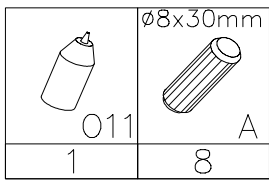


8

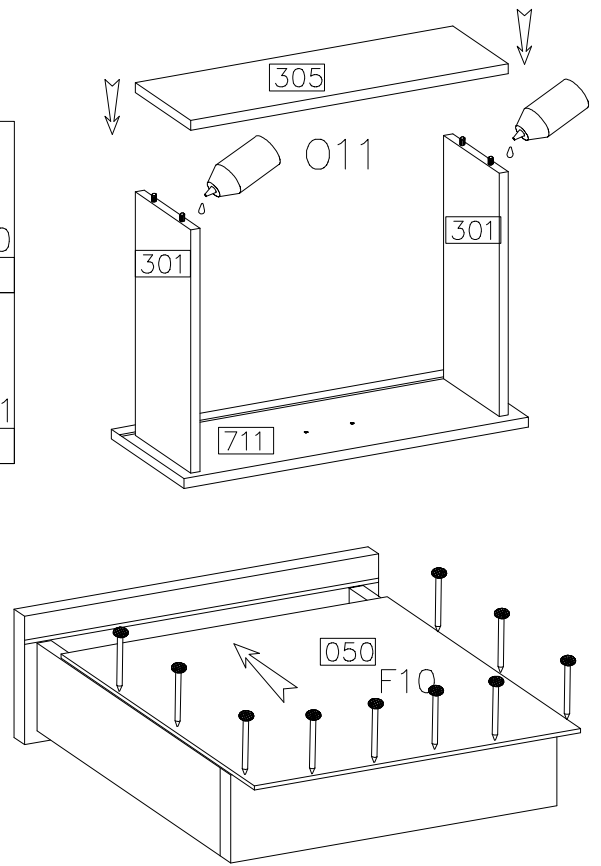
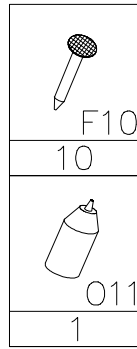

F10
20



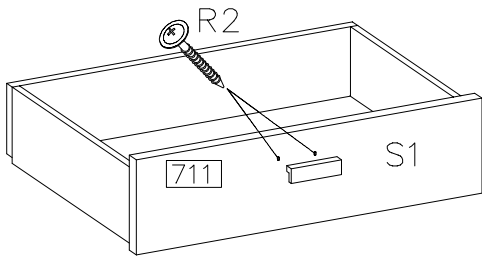
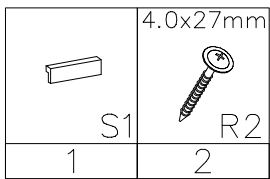
9



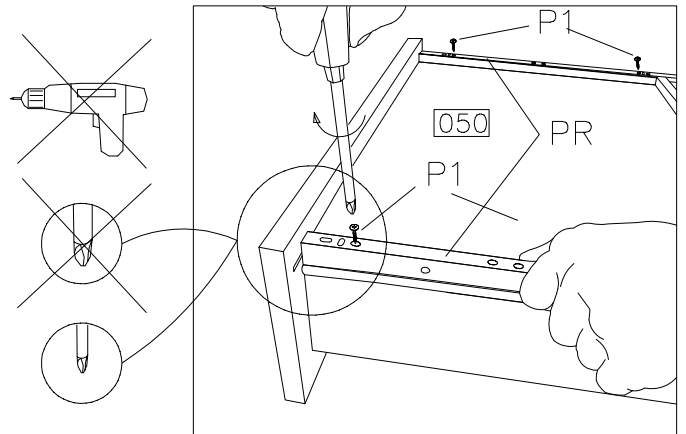
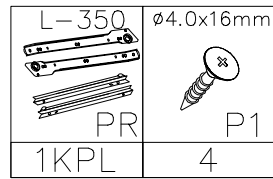
10



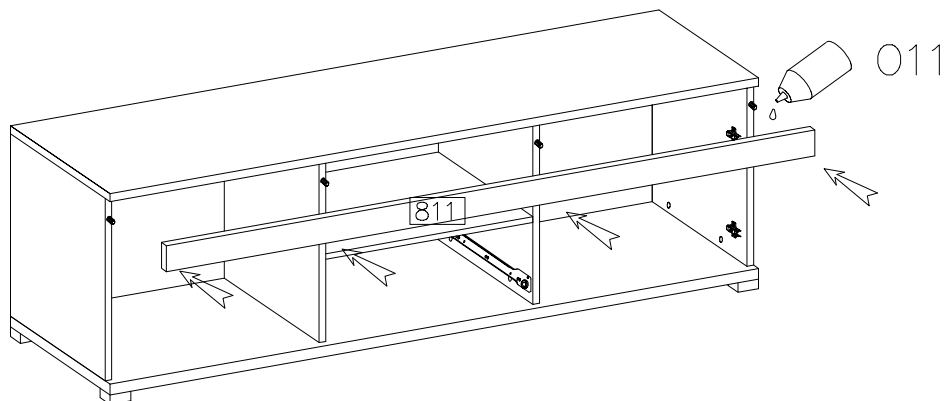
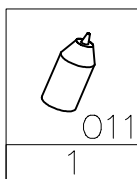
11



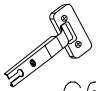



12

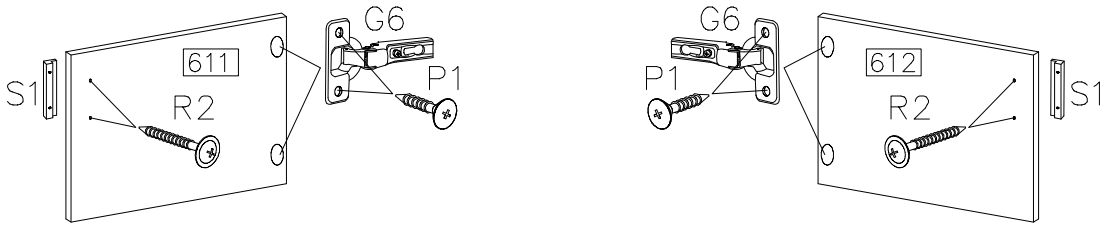


13

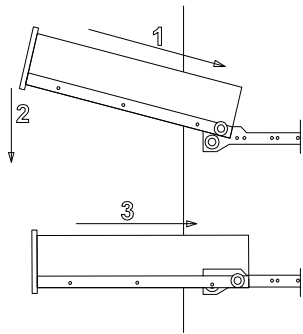
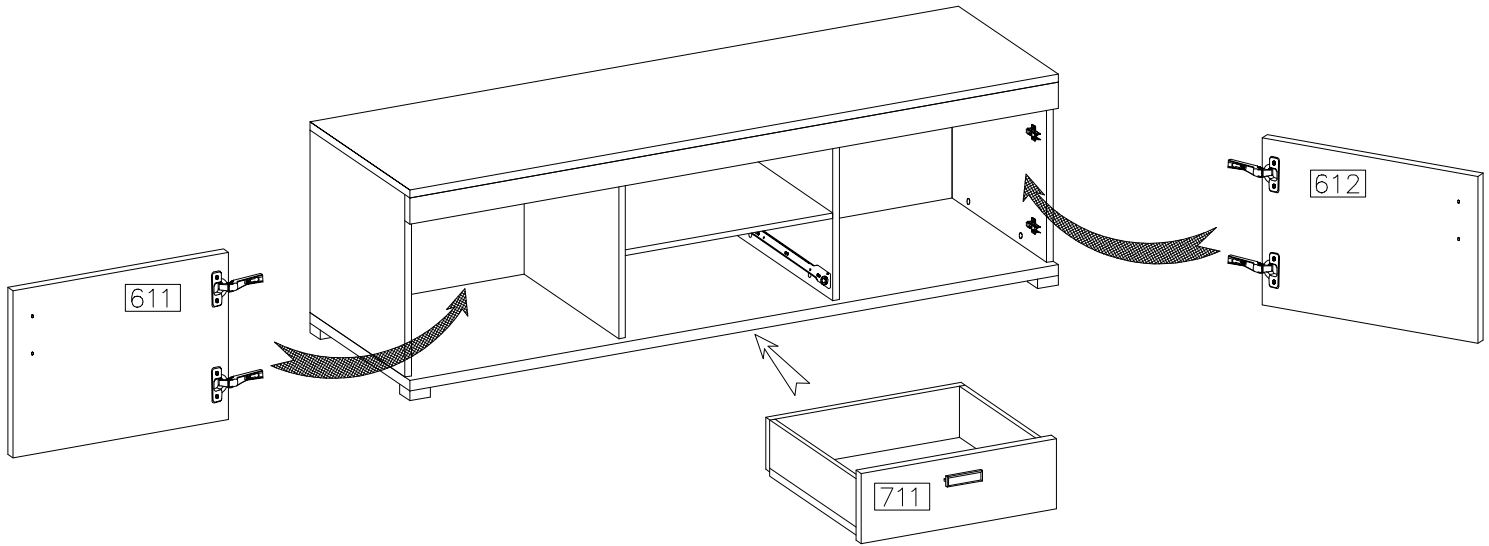


14

 G6 4	 P1 8	 S1 2	 R2 4
---------------------------------------------------------------------------------------------	---------------------------------------------------------------------------------------------	----------------------------------------------------------------------------------------------	---------------------------------------------------------------------------------------------



15



16

