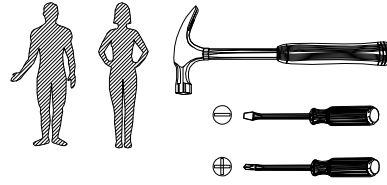
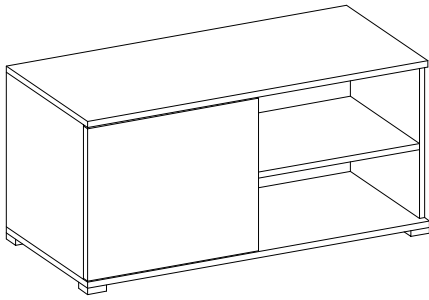
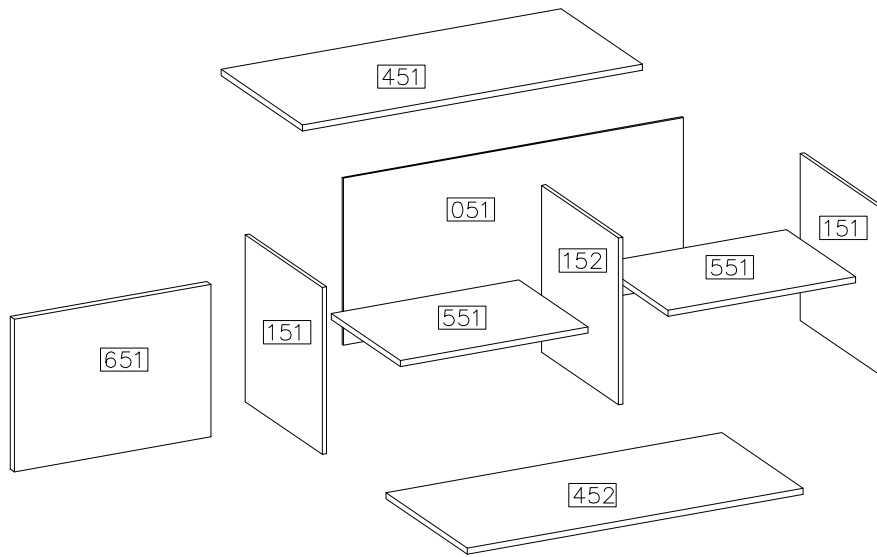
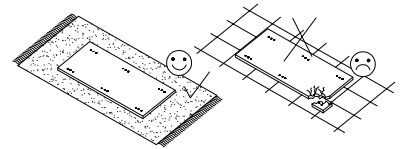
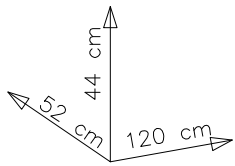


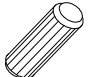
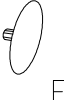

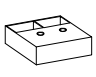






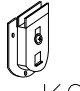


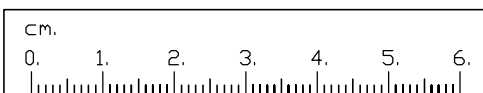
# VIVA SPÓD RTV



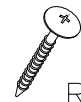
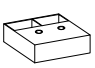
#	ART. NR	QUANTITY
1	451	1
2	452	1
3	151	2
4	152	1
5	551	2
6	651	1
7	051	1

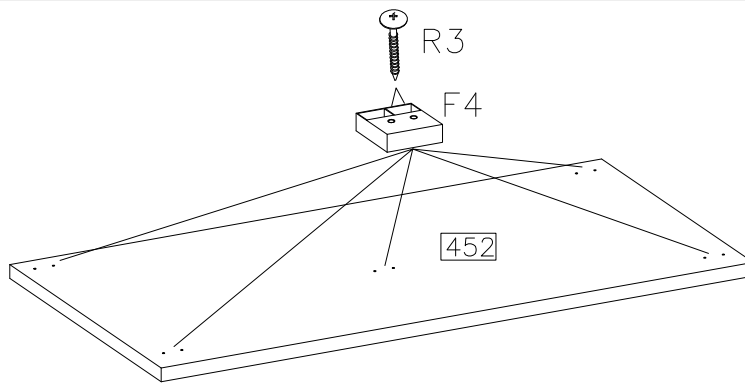


 D1	 C	 A	 E	 R3	 F4	 F10
12	12	18	12	10	5	30
 P1	 J4	 P3	 L5	 K5	 K6	
14	10	8	2	2	2	






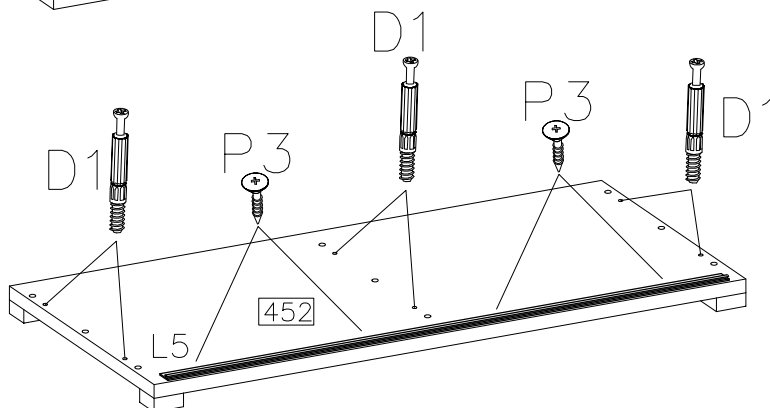
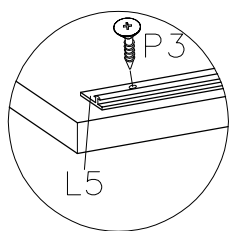
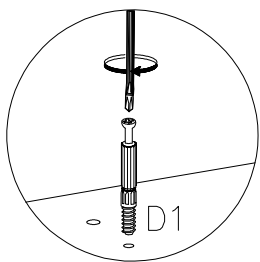
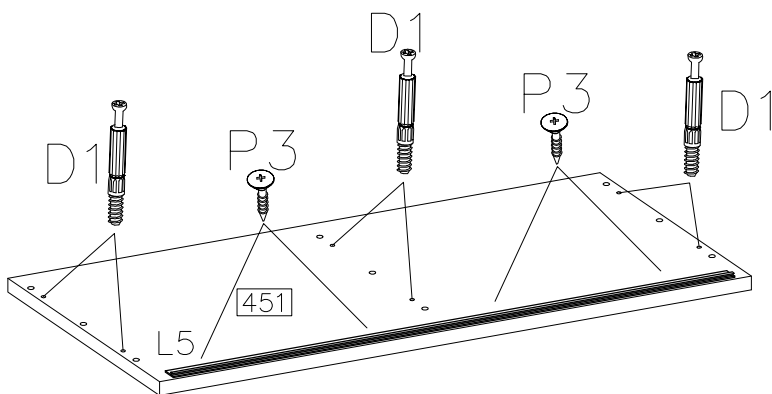
1

4.0x35mm		
	R3	F4
10		5

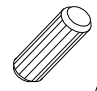
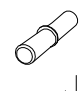



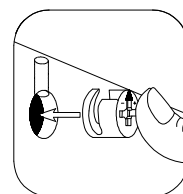
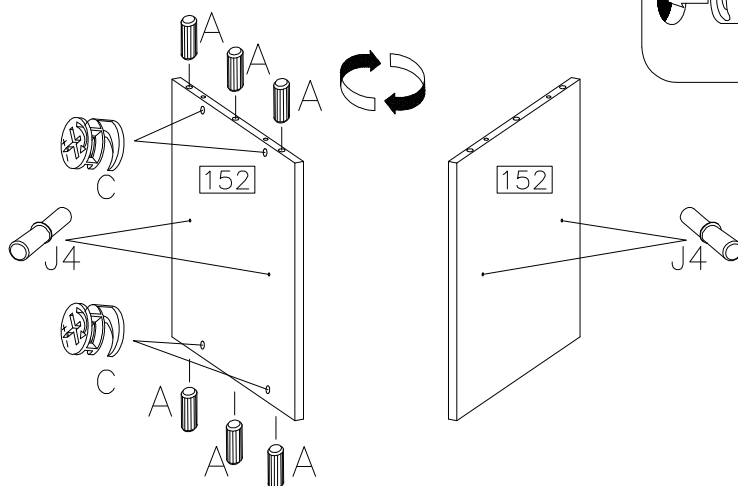
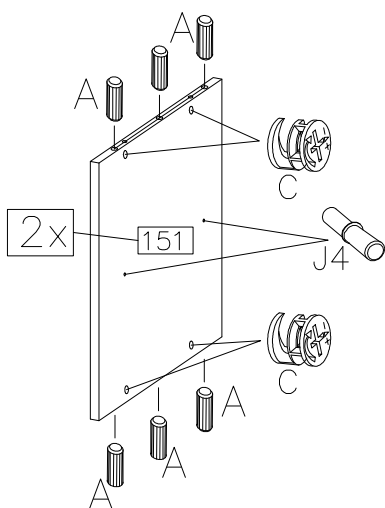
2

	3.0x13mm		
D1		P3	L5
12		8	2

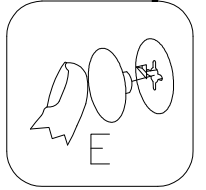
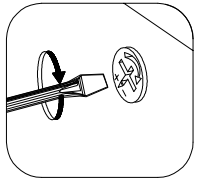
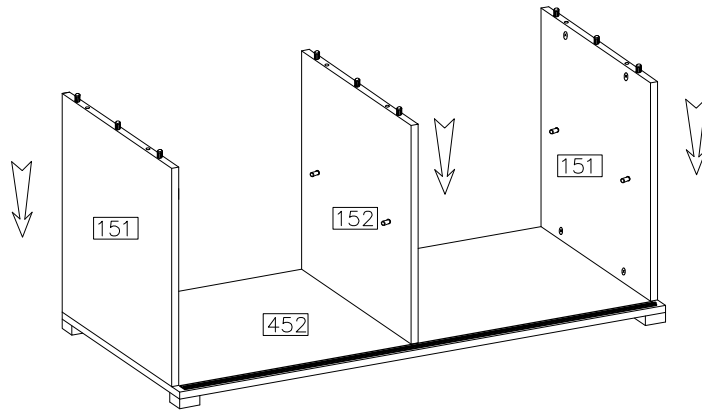
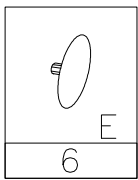


3

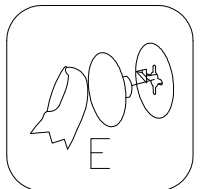
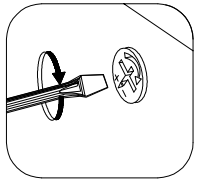
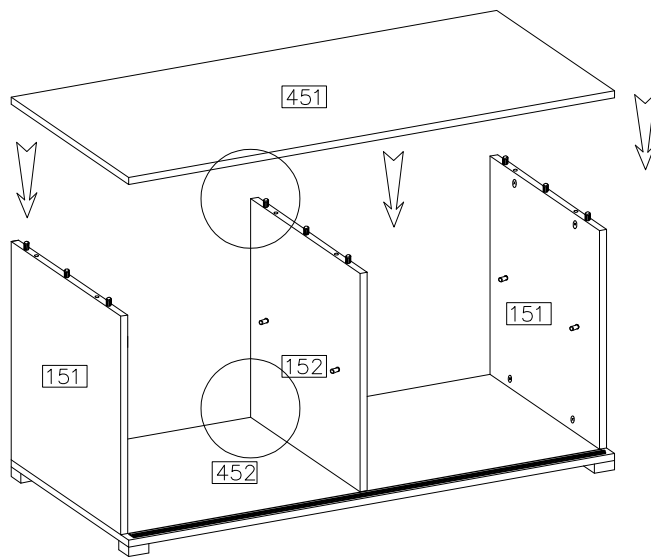
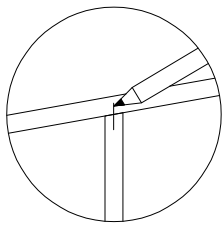
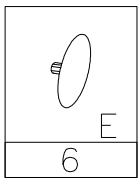
∅8x30mm		A
18		
	J4	
8		
∅15/12mm		C
12		



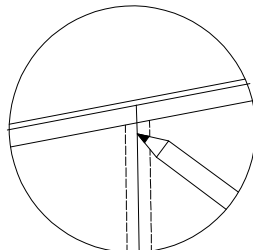
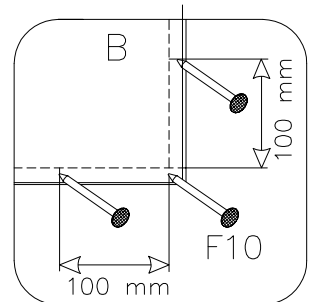
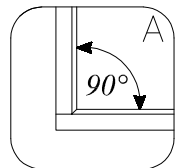
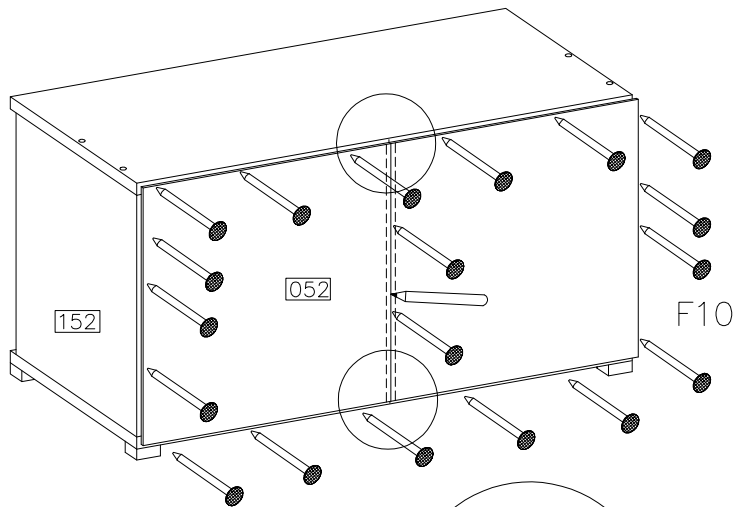
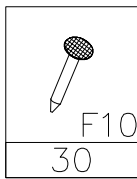
4




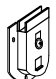


5

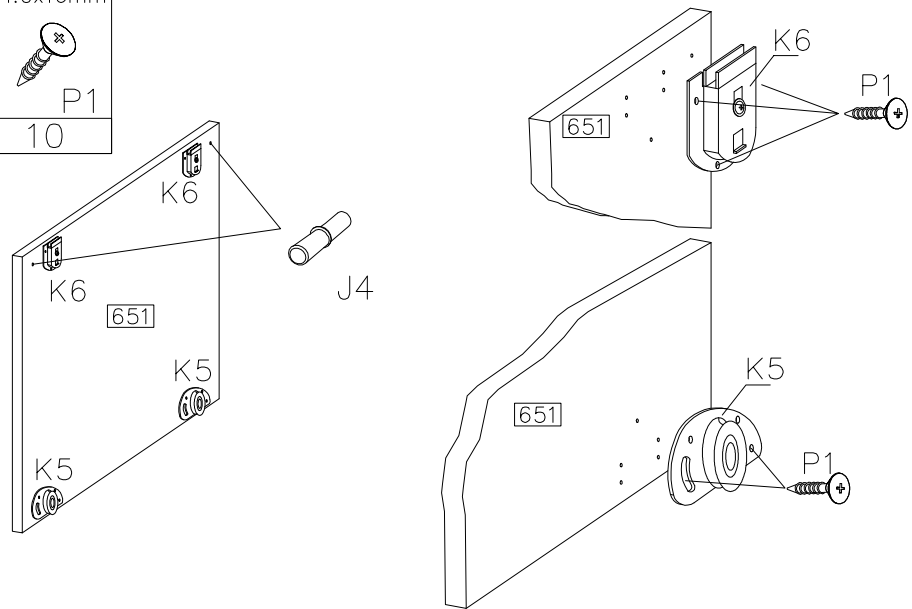


6

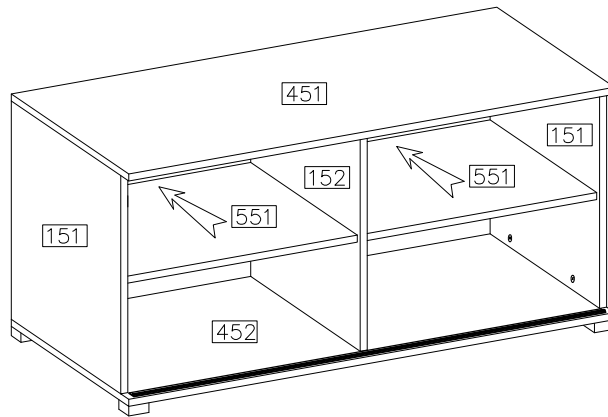


7

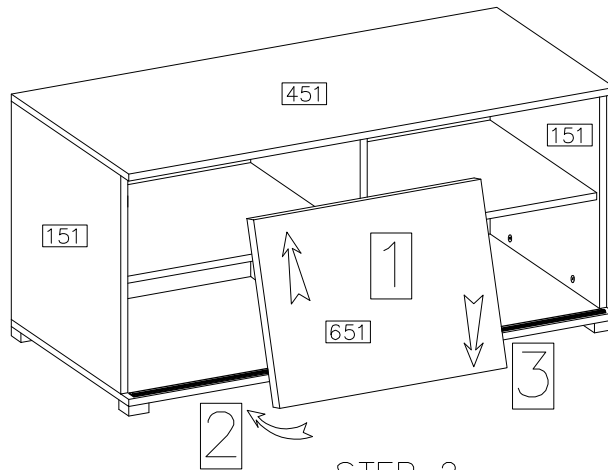
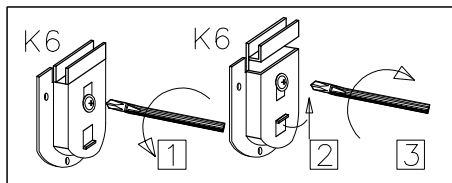
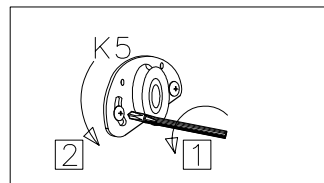
		$\varnothing 4.0 \times 16 \text{mm}$ 
K5	K6	P1
2	2	10
		
J4		
2		



8



9

STEP 1  
KROK 1STEP 2  
KROK 2STEP 3  
KROK 3